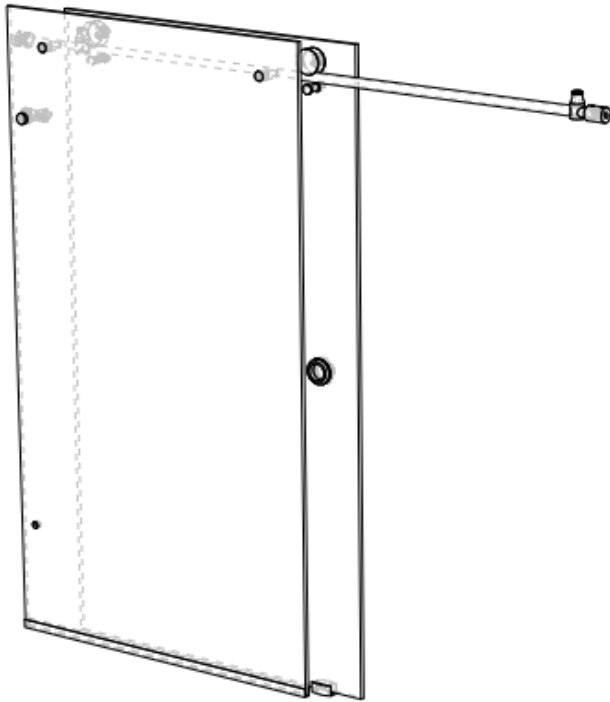
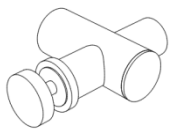
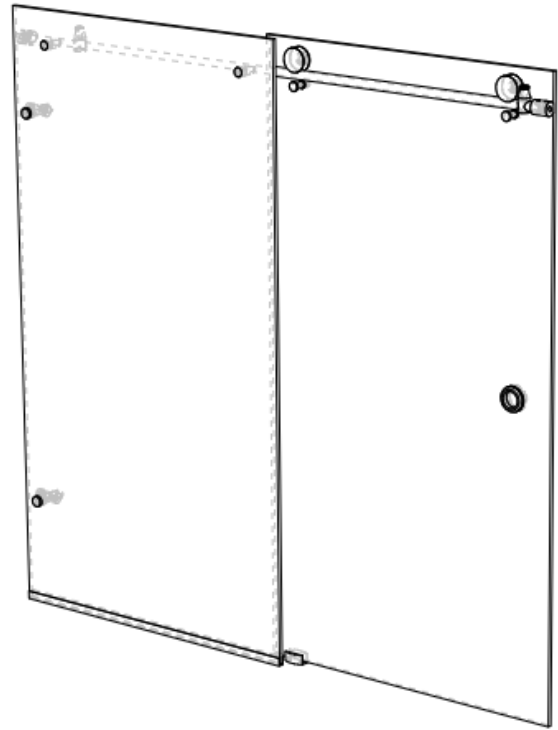


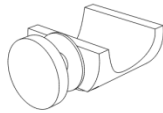
DOOR OPEN



DOOR CLOSED



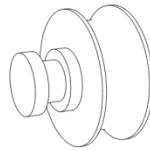
Z-808-I (2)



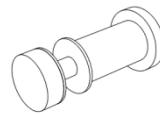
Z-808-F (2)



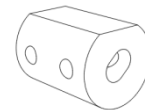
Z-808-D (2)



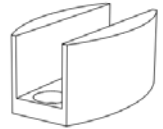
Z-808-E (2)



Z-808-C (2)



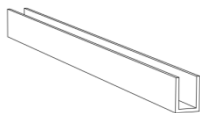
Z-808-B (2)



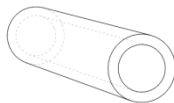
Z-809-G (1)



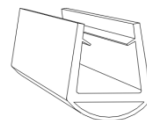
Z-5163 (1)



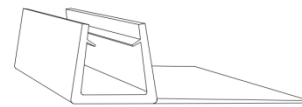
“U” CHANNEL (1)



Z-808 (1)

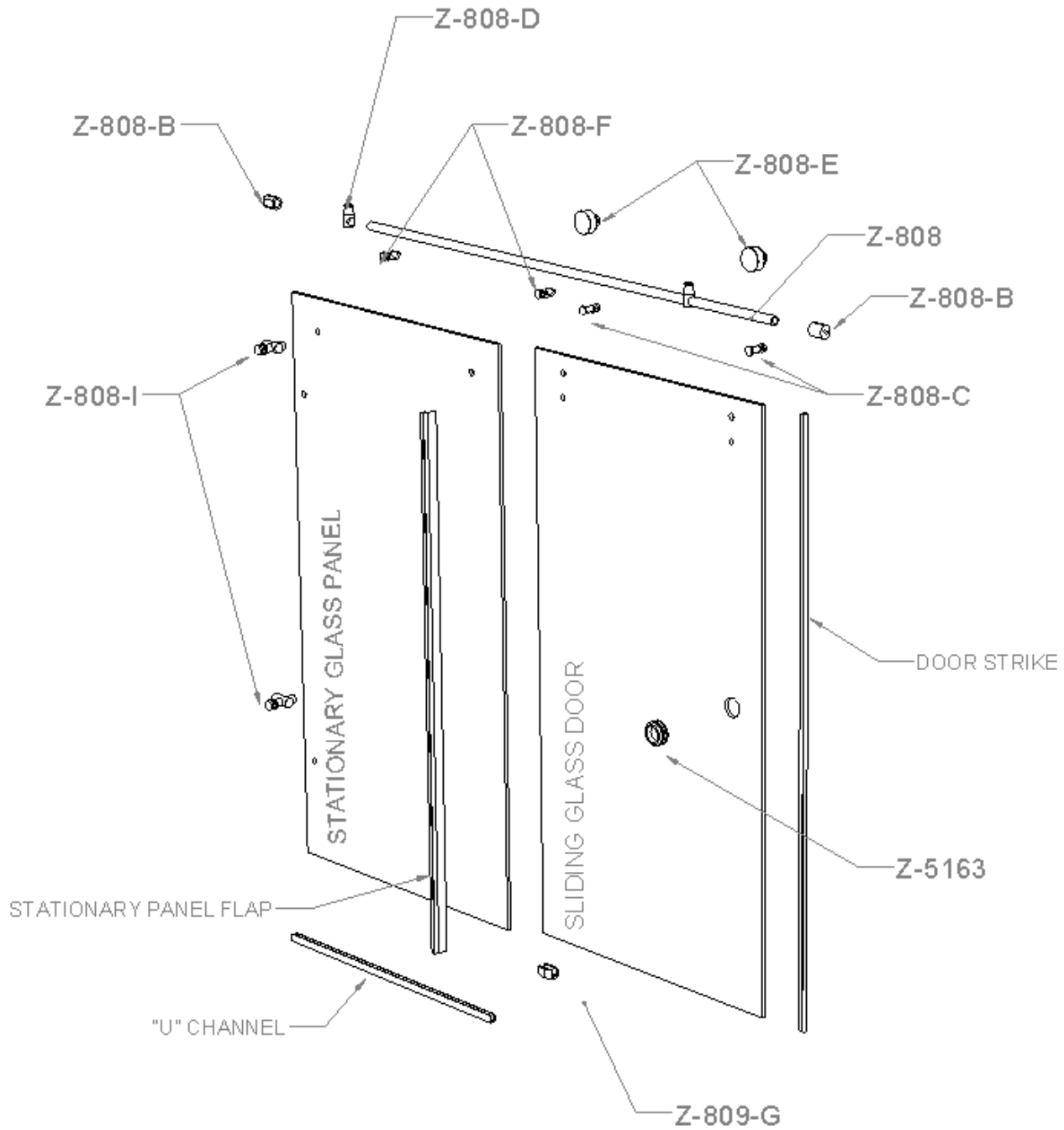


DOOR STRIKE (1)



STATIONARY PANEL FLAP (1)

**“MERIDIAN”
INSTALLATION INSTRUCTIONS**



COASTAL INDUSTRIES INC.

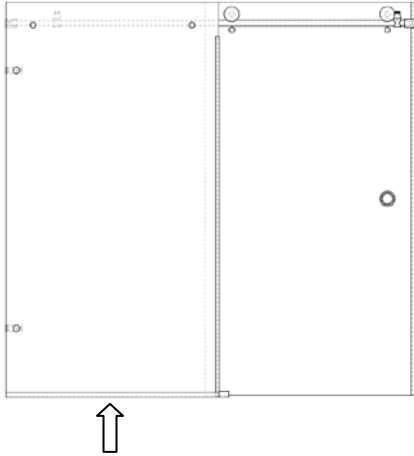
P.O BOX 16091, JACKSONVILLE, FLORIDA 32245

FAX NO. 904-641-1697

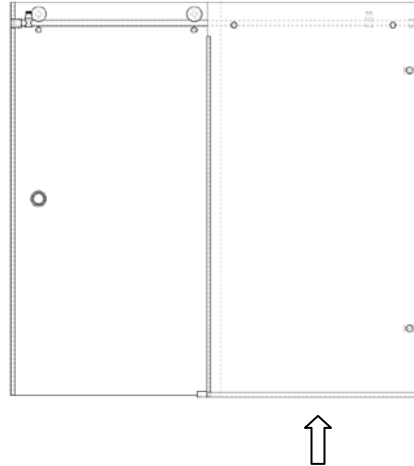
TELEPHONE NO. 904-642-3970

STEP 1 – IDENTIFY POSITION OF STATIONARY PANEL (LEFTSIDE / RIGHT SIDE)

STATIONARY PANEL ON LEFT SIDE

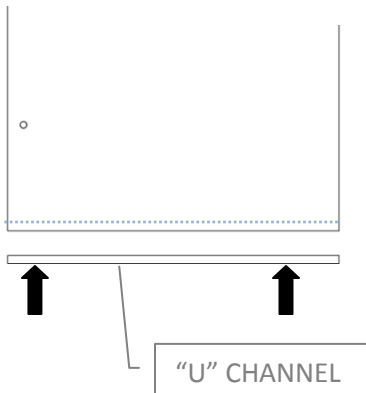


STATIONARY PANEL ON RIGHT SIDE

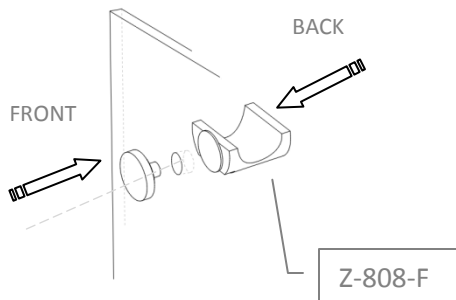


STEP 2 – INSTALL HARDWARE ON STATIONARY PANEL

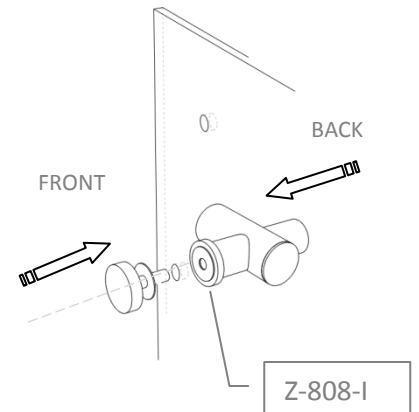
TRIM “U” CHANNEL
ACCORDING WITH
STATIONARY GLASS PANEL
DIMENSION AND INSERT



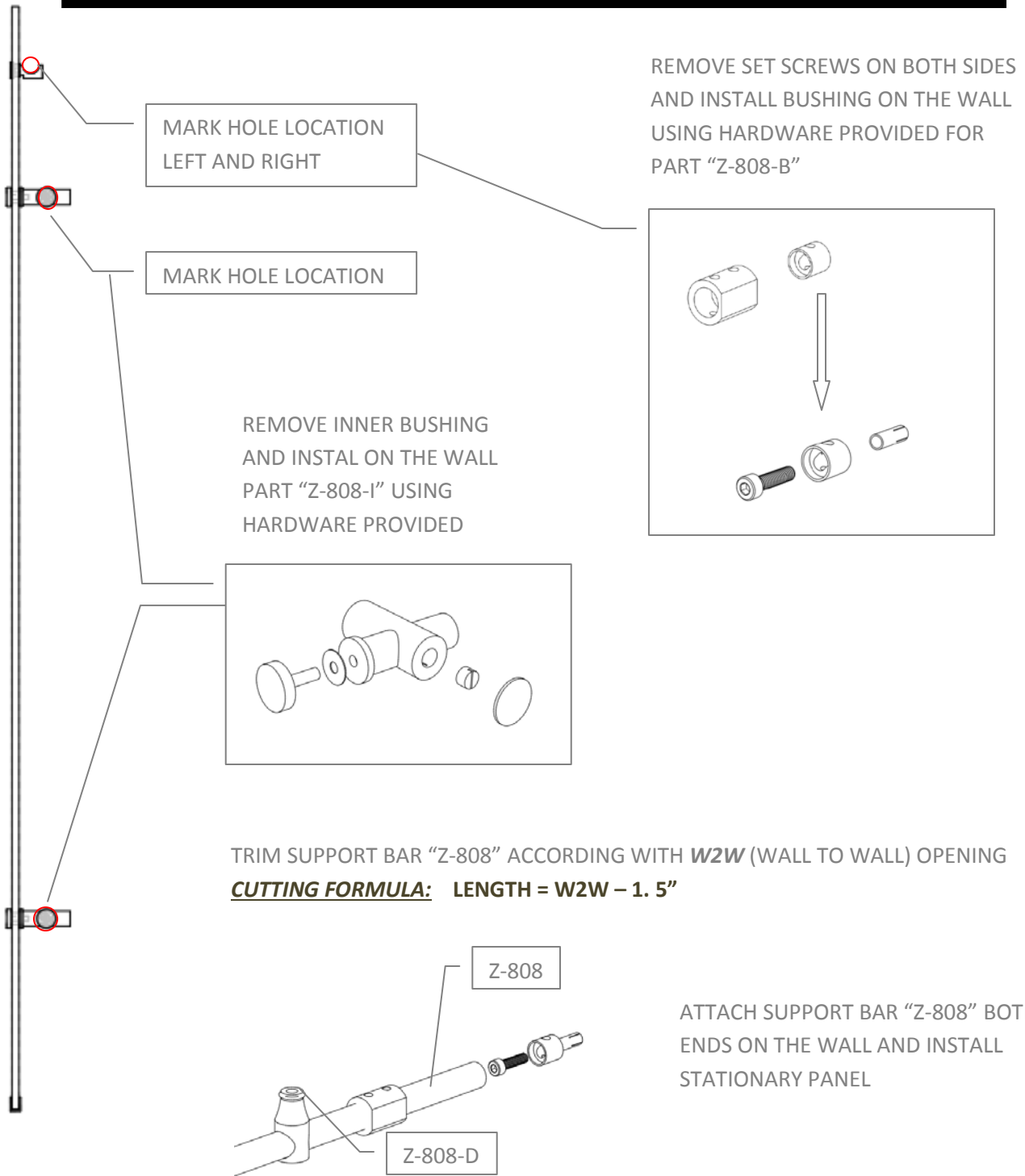
LOCATE HOLES ON TOP (LEFT/RIGHT)
AND INSTALL PART “Z-808-F” TWO
PLACES



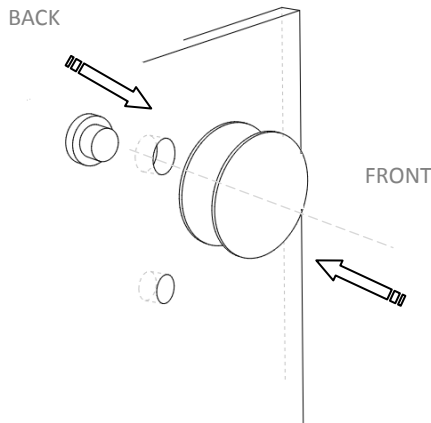
LOCATE HOLES ON THE SIDE (10”
FROM BOTTOM AND 10” FROM
TOP) AND INSTALL PART “Z-808-I”
TWO PLACES



STEP 3 – TRIM SUPPORT BAR AND MARK HOLE POSITION FOR HARDWARE

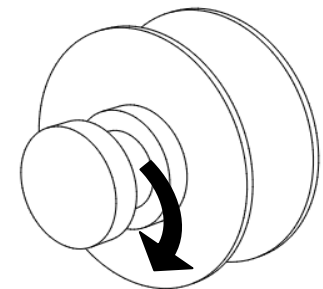
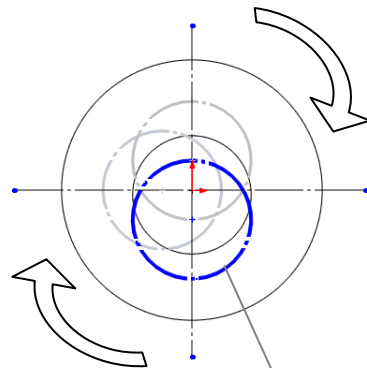


STEP 4 – INSTALL HARDWARE ON GLASS DOOR



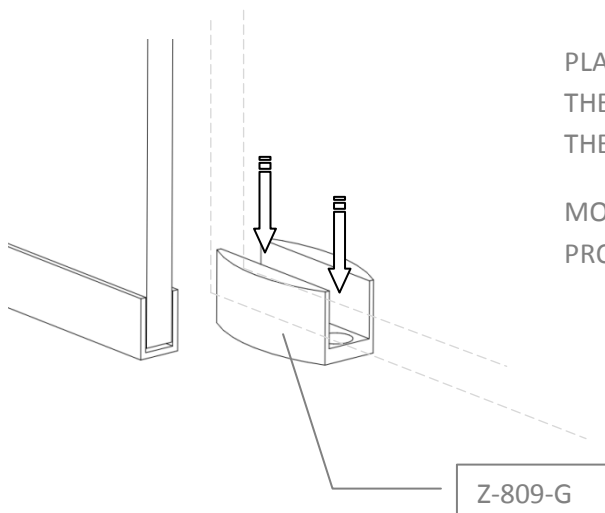
LOCATE LARGE HOLES ON TOP OF THE DOOR AND INSTALL ROLERS “Z-808-E”

MOVE THE CENTER POSITION
“OUT-OF-ROUND” AS INDICATED



“OUT-OF-ROUND” DOWN POSITION

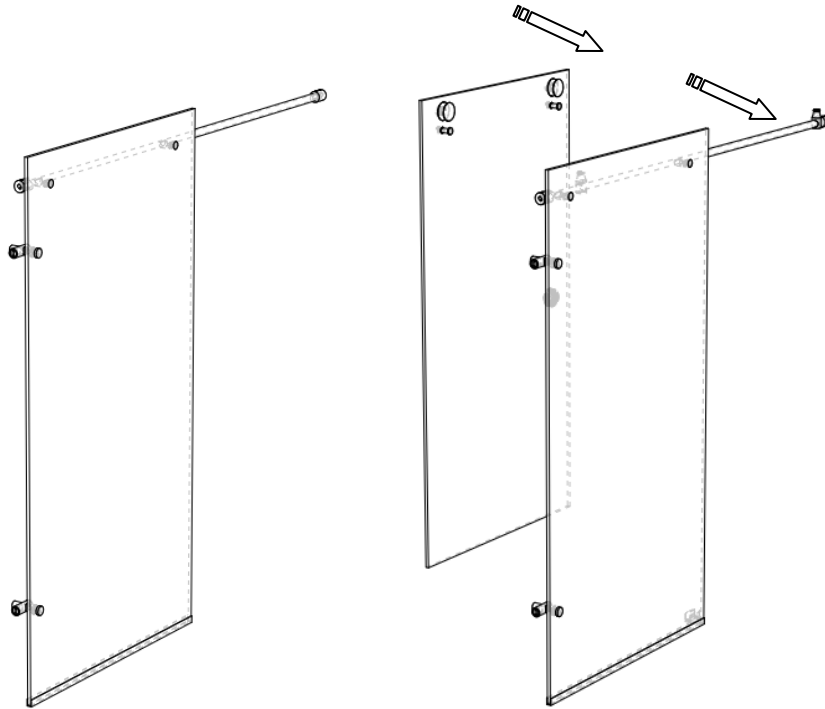
STEP 5 – DOOR GUIDE



PLACE THE DOOR GUIDE “Z-809-G” IN
THE CORRECT POSITION AND MARK
THE BASE FOR DRILLING.

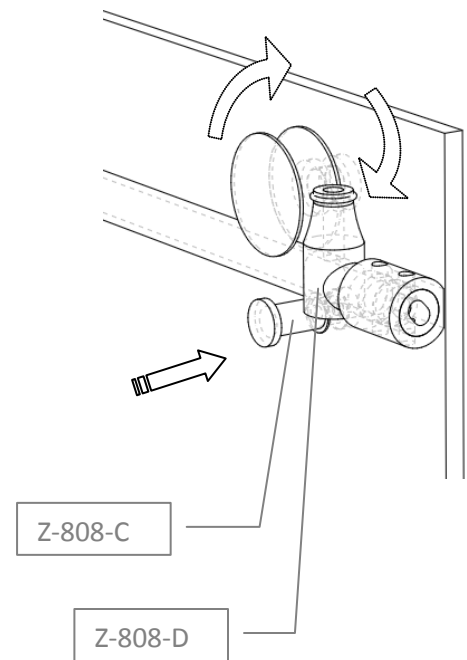
MOUNT THE GUIDE USING HARDWARE
PROVIDED

STEP 6 – INSTALL SLIDING DOOR AND CALIBRATE THE ROLLERS



HANG THE DOOR OVER THE HEADER SUPPORT BAR. CALIBRATE THE ROLLERS TO PROVIDE HORIZONTAL POSITION FOR THE DOOR. ATTACH “Z-808-C” ANTI-LIFT FITTINGS TO THE GLASS DOOR

PLACE THE STOPS “Z-808-D” ACCORDING WITH OPENING / CLOSING DOOR POSITION.



STEP 7 – ATTACH GLASS PULL AND DOOR / STRIKE POST VINYL

