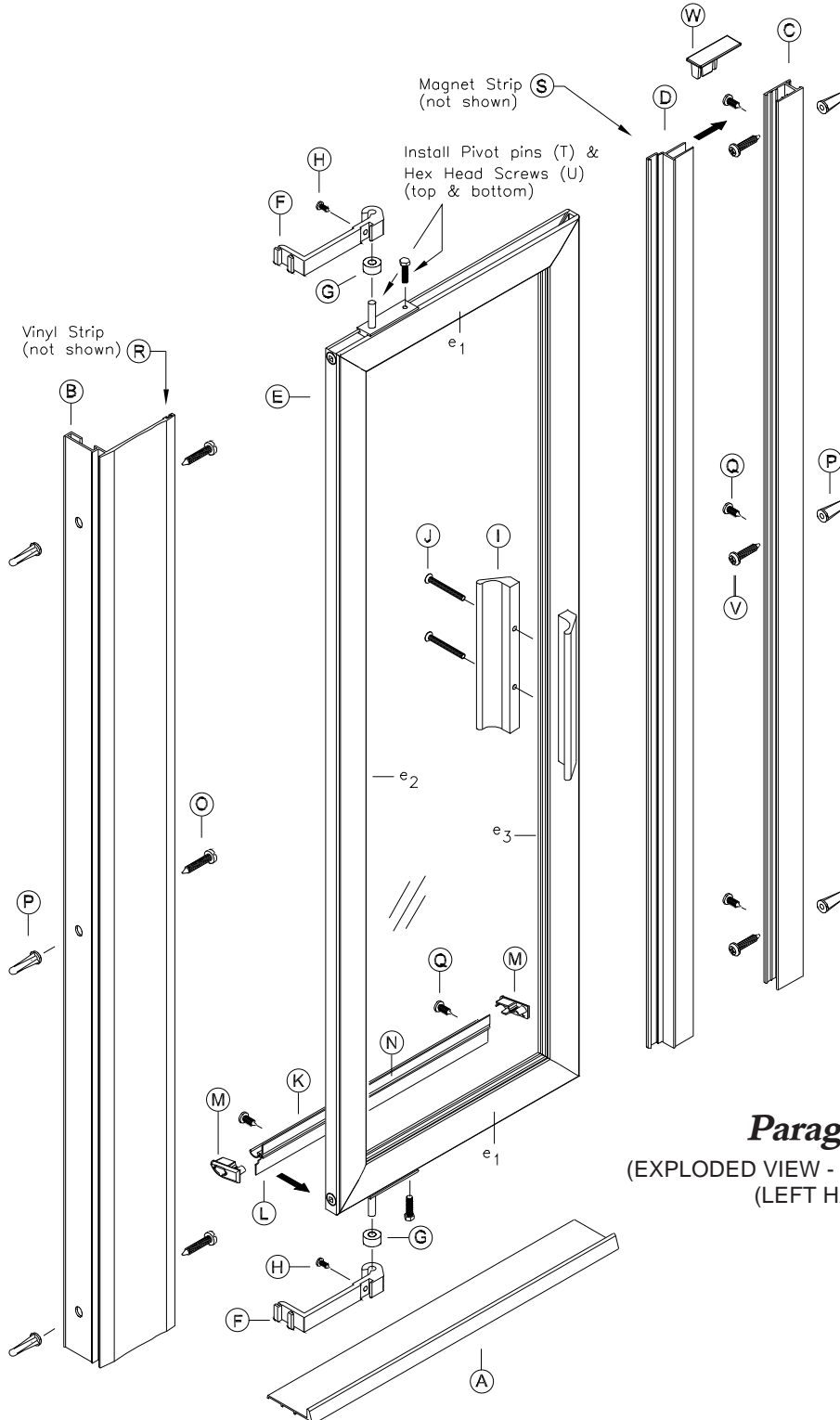


Paragon Pivot Door

ADJUSTABLE PIVOT SHOWER DOOR INSTALLATION INSTRUCTIONS



Paragon Pivot Door
(EXPLODED VIEW - OUTSIDE OF UNIT LOOKING IN)
(LEFT HAND PIVOT SHOWN)

PARTS LIST

KEY LETTER	PART NUMBER	DESCRIPTION	QUANTITY
A	310	SILL	1
B	25	PIVOT JAMB	1
C	903	WALL JAMB	1
D	926	STRIKE JAMB	1
E		DOOR ASSEMBLY	
e1	925	Door Rail	2
e2	958	Door Pivot Stile	1
e3	924	Door Strike Stile	1
F	26	PIVOT BRACKET	2
G	18712C	PIVOT BUSHING	2
H	814	PIVOT BRACKET SCREW	2
I	930	DOOR HANDLES (SET)	1
J	6114MSFHP	DOOR HANDLE SCREWS	2
K	927	DRIP RAIL	1
L	C171B	VINYL SWEEP	1
M	CP933	DRIP CAP PLUGS (SET)	1
N	4403	TWO SIDED TAPE	1
O	834Q	INSTALLATION SCREWS (used w/ cst-25)	3
P	1329	PLASTIC SCREW ANCHORS	6
Q	638PHPT	ADJUSTMENT SCREWS	5
R	C1819C	PIVOT JAMB VINYL SEAL	1
S	98-42	MAGNETIC STRIP	1
T	832P	PIVOT PIN	2
U	83258HEX	HEX HEAD MACHINE SCREW	2
V	6-8114PHP	INSTALLATION SCREWS (used w/ cst-903).....	3
W	CP903	JAMB CAP	1

TOOLS NEEDED

LEVEL	1/8" DRILL BIT	ELECTRIC DRILL
HACKSAW	3/16" MASONRY DRILL BIT	PHILLIPS SCREW DRIVER
HAMMER	MASKING TAPE	1/4" BOX END WRENCH
CENTER PUNCH	PENCIL / FELT TIP PEN	CLEAR CAULKING OR SEALANT (MILDEW RESISTANT)
MEASURING TAPE	SAFETY GLASSES	

Unit Installation Screws

(shown full size as reference)



(T)_PIVOT PIN



(U)_83258HEX SET SCREWS



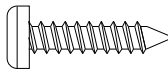
(V)_6-8114PHP
WALL JAMB INSTL SCREWS



(H)_814
PIVOT BRACKET SCREWS



(Q)_638PHPT ADJUSTMENT
SCREWS



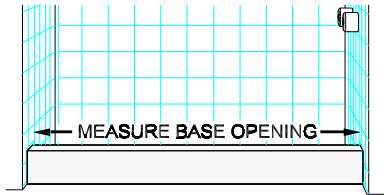
(O)_834Q
EXPANDER JAMB INSTL SCREWS



(J)_6114MSFHP
DOOR HANDLE SCREWS

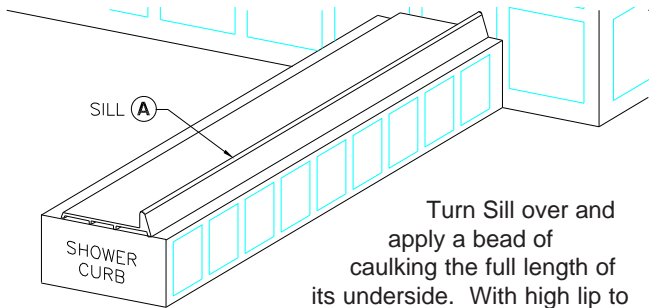
1. Measure base opening & trim Sill

Measure the base opening along the lead edge of the shower curb as shown. Using a hacksaw . . . trim Sill (A) to the measurement obtained.

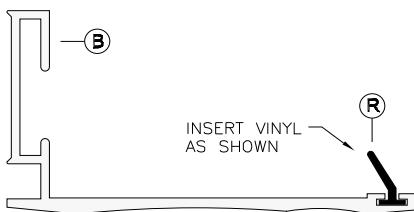


2. Position Sill

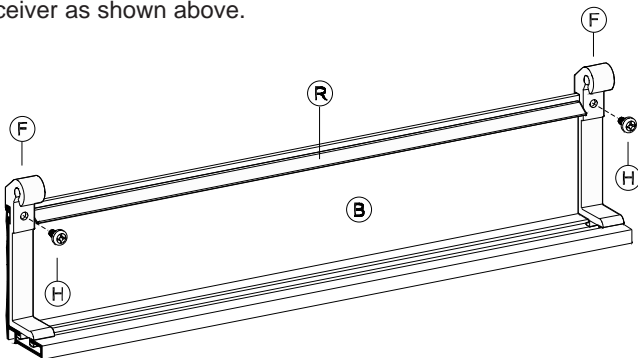
Turn Sill over and apply a bead of caulking the full length of its underside. With high lip to the exterior, center Sill (A) on shower curb as shown. Temporarily tape Sill to shower curb to prevent movement.



3. Insert Pivot Vinyl & attach Pivot Brackets to Pivot Jamb

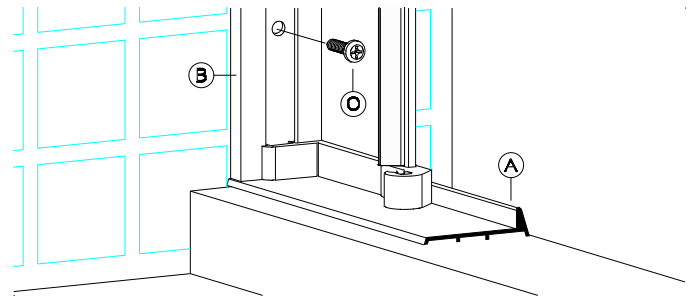


Measure the Pivot Jamb (B) length, then cut Pivot Jamb Vinyl (R) an inch and a quarter (1 1/4") less than the measurement obtained. Insert Pivot Jamb Vinyl (R) into Pivot Jamb's vinyl receiver as shown above.



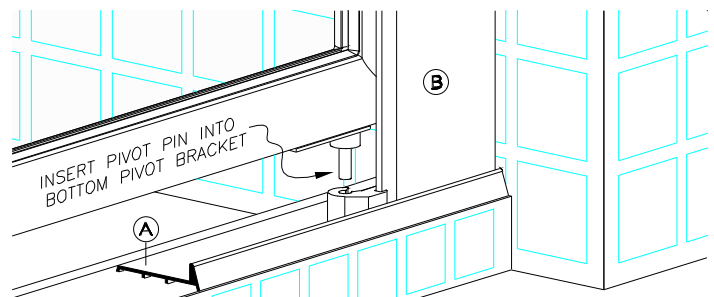
Loosely attach top and bottom Pivot Brackets (F) to Pivot Jamb (B) using two Pivot Bracket Screws (H). Now, decide which way you want the door to swing (*left or right hand pivot, your choice*). Once door swing has been determined, firmly tighten the bottom Bracket Screw (H), leaving the top Bracket Screw loose.

4. Install Pivot Jamb



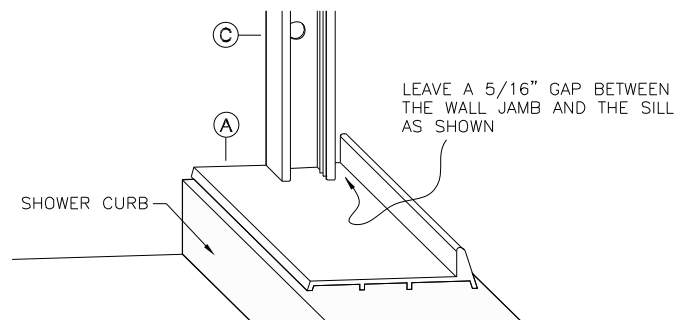
Position Pivot Jamb (B) up against the wall from which you wish the door to swing. Make sure Pivot Jamb sits squarely on the Sill (A) as shown. Use a level to plumb the Pivot Jamb, then make a pencil mark on the shower wall thru each of the three installation holes. Remove Pivot Jamb and lightly center punch the installation hole locations. Drill 1" deep installation holes using a 3/16" masonry drill bit and insert Plastic Screw Anchors (P). Reposition and attach Pivot Jamb to wall with three Installation Screws (O).

5. Install Door Assembly



Before proceeding, take a minute to make sure that the top Pivot Bracket (F) is loose. Screw Pivot Pins (T) and Hex Head Machine Screws (U) into top and bottom pivot slides (see explode view - sheet 1). Now insert the top and bottom Pivot Bushings (G) onto the pivot pins (see explode view - sheet 1). Set door in position by placing the bottom pivot pin into the bottom Pivot Bracket (F) as shown above. Make sure that magnet side of door is facing to the inside of enclosure. Lift the top Pivot Bracket (F) and insert the top pivot pin. Tighten the top Pivot Bracket Screw (H).

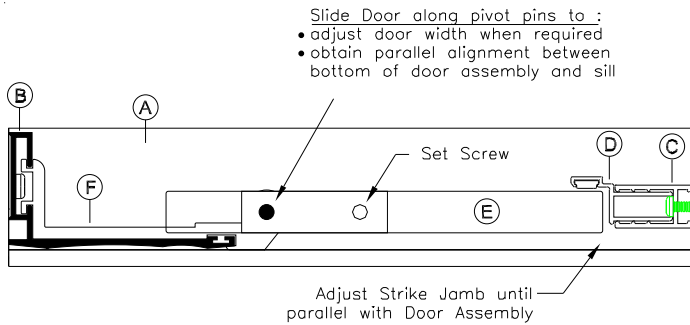
6. Install Wall Jamb



Position Wall Jamb (C) 5/16" from edge of Sill (A) and up against the shower wall as shown in figure. Plumb the Wall Jamb, then make a pencil mark on the shower wall thru each of the three installation holes. Remove the Jamb and lightly center punch the installation hole locations. Drill 1" deep installation holes using a 3/16" masonry drill bit and insert Plastic Screw Anchors (P). Reposition the Wall Jamb and attach to wall using three Installation Screws (V).

7. Install Strike Jamb

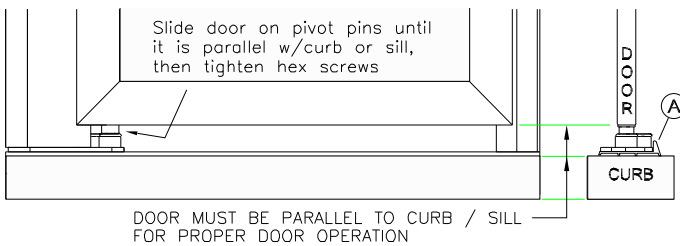
Insert Strike Jamb (D) into Wall Jamb (C) as shown below.



Using a 1/4 box end wrench, loosen the Door Assembly's top and bottom Set Screws (U). Close the Door Assembly and slide the Door (E) toward the Strike Jamb (D) as shown.

Next, adjust the Strike Jamb (D) until it is parallel to the Door Assembly's strike edge (see figure above). Do not secure at this time.

8. Check Door alignment & lock in Place

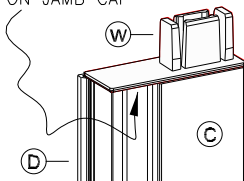


Next, check to see that bottom of Door Assembly is parallel to the Sill. The Door Assembly is parallel to the sill if both bottom corners of the door are the same distance above the sill. If this is not the case, slide Door Assembly along either top or bottom pivot pins until a parallel measurement is obtained. When satisfied, tighten both top and bottom Set Screws using a 1/4" box end wrench. Recheck to see that Strike Jamb (D) is still parallel to the Door Assembly (see step 7), when satisfied, secure Strike Jamb (D) to Wall Jamb (C) with three(3) 638phpt Adjustment Screws (Q).

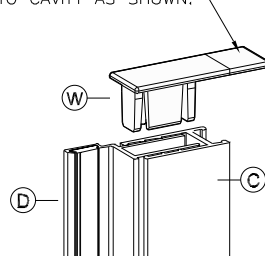
9. Install Jamb Cap

TURN JAMB CAP OVER AND SET IT ATOP THE WALL JAMB AND THE STRIKE JAMB AS SHOWN.

MAKE A TRIM MARK HERE ON JAMB CAP



TRIM EXCESS OFF AND INSERT INTO CAVITY AS SHOWN.



Install an End Cap (W) at the strike side of the door as shown in exploded view - sheet 1 and figure above. Trim Jamb Cap to required length before installing.

10. Install Drip Rail and Plugs

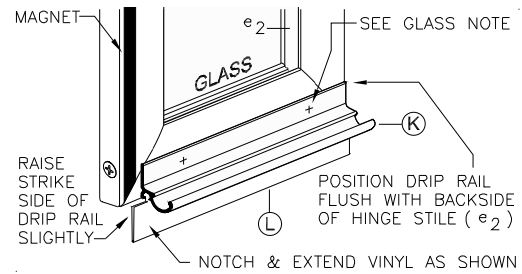


Figure 10a

Notch and extend Vinyl Sweep (L) pass Drip Rail edge as shown in figure 10a. Attach Drip Plugs (M) onto Drip Rail (see exploded view - sheet 1), and remove the knockout on the hinge side drip plug so the water will drain (see figure 10b).

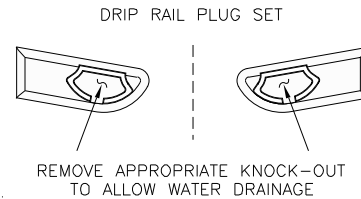


Figure 10b

Clean bottom rail of door with alcohol to remove any oil. Failure to clean door rail prior to installation of Drip Rail (K) may cause tape to release. Remove backing from tape and position Drip Rail flush with backside of Pivot Stile (e2) as shown in figure 10a.

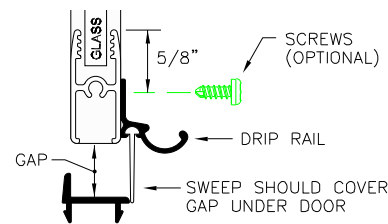


Figure 10c

Sweep should cover gap at bottom of Door as shown in figure 10c. Slightly elevate Drip Rail at strike side prior to securing to create a sloping effect.

Glass Note:

Two (2) optional self drilling screws (Q) are provided in case you want to further secure the drip rail. If using screws to attach drip rail . . . **never** drill holes within 5/8" of exposed glass! To do so will result in glass breakage.

11. Attach Door Handles

Attach Door Handles (I) to Door Assembly using two(2) Handle Screws (J). Please note that screw heads are toward inside of enclosure (see exploded view, front sheet).

12. Leak Proof Installation

To insure a leak proof installation . . . Run a bead of clear mildew resistant caulking down the full length of each Wall Jamb outside where the Wall Jamb meets the walls. Now run a bead outside where the sill meets the curb. Follow caulking manufacturer's instructions before using shower (normally 24 hours). Installation is now complete.