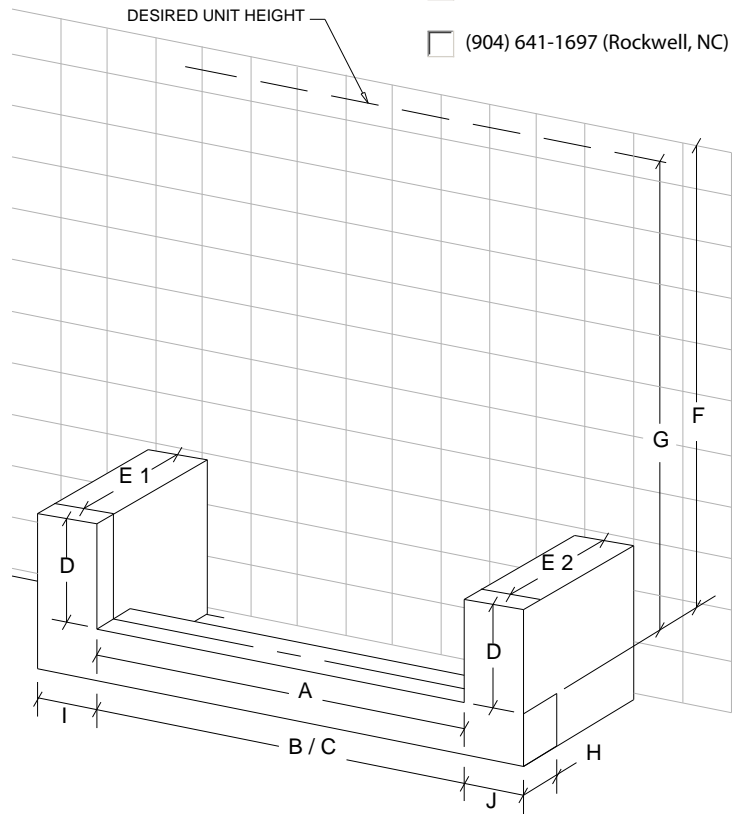
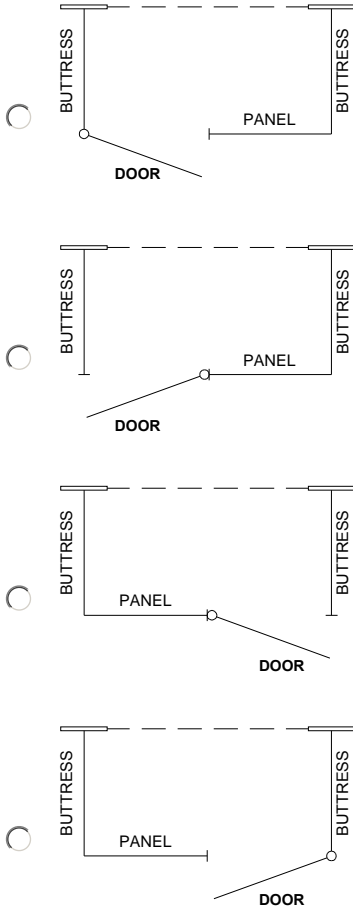


- (904) 641-1697 (Jacksonville, FL)
- (770) 542-1005 (Atlanta, GA)
- (713) 405-1005 (Houston, TX)
- (904) 641-1697 (Rockwell, NC)

Configurations (choose and mark one below)



Door w/ 1 Inline Panel & 2 End Panels
(both end panels on a buttress)

UNIT MODEL TYPE:

- PARAGON FRAMED
- PARAGON FRAMELESS (DOOR PULL)
- PARAGON FRAMELESS (C-PULL)

CORNER POST:

- 90°
- 135°
- VARIABLE ANGLE

GLASS THICKNESS:

- 3 / 16"
- 1 / 4"
- 3 / 8" **NOTE: 3/8" hinge door applications require 3/8" Frameless Shower Door order form.**

METAL FINISH COLOR:

- GOLD
- SILVER
- BRUSHED NICKEL
- PLATINUM
- OIL RUBBED BRONZE
- OTHER _____

GLASS TYPE:

- CLEAR
- OBSCURE
- KD
- OTHER _____

ETCH DESIGN REQUIRED:

- YES _____

ENDUROSHIELD YES

DESCRIPTION :

- A. OPENING WIDTH _____
- B. DOOR WIDTH _____
- C. INLINE PANEL WIDTH _____
- D. BUTTRESS HEIGHT _____
- E1. BUTTRESS CENTERLINE DIMENSION _____
- E2. BUTTRESS CENTERLINE DIMENSION _____
- F. TILE HEIGHT (from top of curb) _____
- G. UNIT HEIGHT (from top of curb) _____
- H. CURB WIDTH _____
- I. BUTTRESS WIDTH _____
- J. BUTTRESS WIDTH _____

Company Name / Address _____

Job Name _____

No. of units required _____