

## PREPARATION

**Approximate Installation Time:** 60 minutes

**Tools Required for Installation:**

- Miter/Chop Saw or Hacksaw
- Electric Drill
- 3/16" Masonry Drill Bit
- 3/16" Metal Drill Bit
- 5/32" Metal Drill Bit
- 9/64" Metal Drill Bit
- Phillips Bit
- Pencil / Felt Tip Pen
- Cutting Pliers
- Measuring Tape
- Masking Tape
- Phillips Screwdriver
- 13/16" Wrench
- 7/8" Wrench
- Level
- Rubber Mallet
- Clear Caulking or Sealant
- Safety Glasses

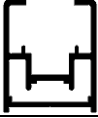

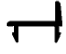




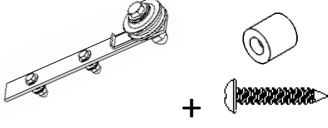
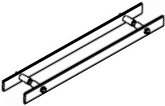
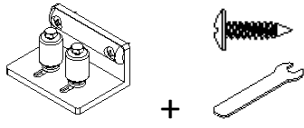
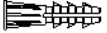




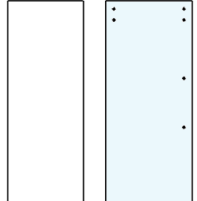
## QUESTIONS

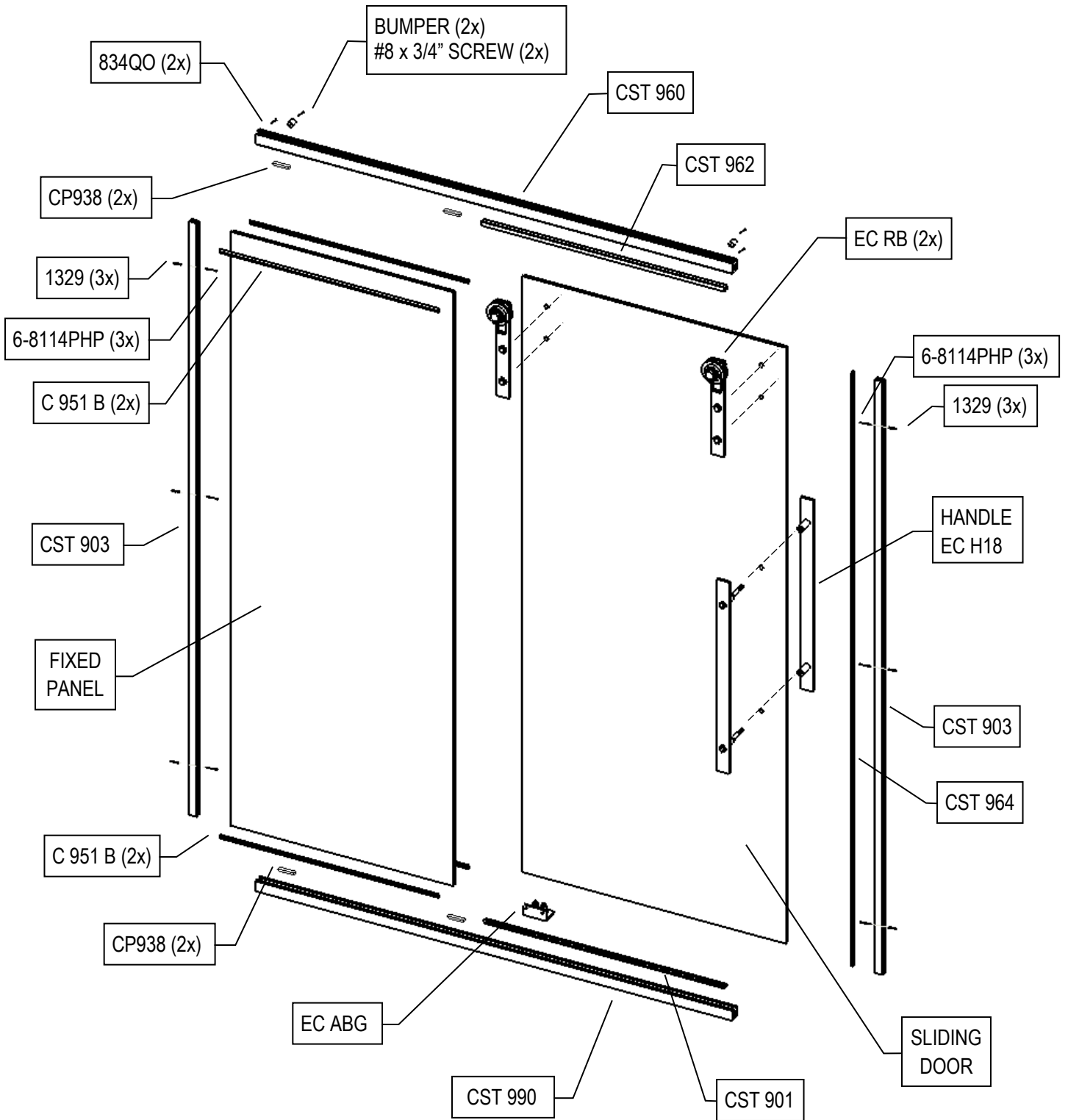


Before beginning installation of product, make sure all parts are present. Compare parts with package contents list and diagram below. Panel size may differ from images shown. If any part is missing or damaged, do not attempt to install the product.

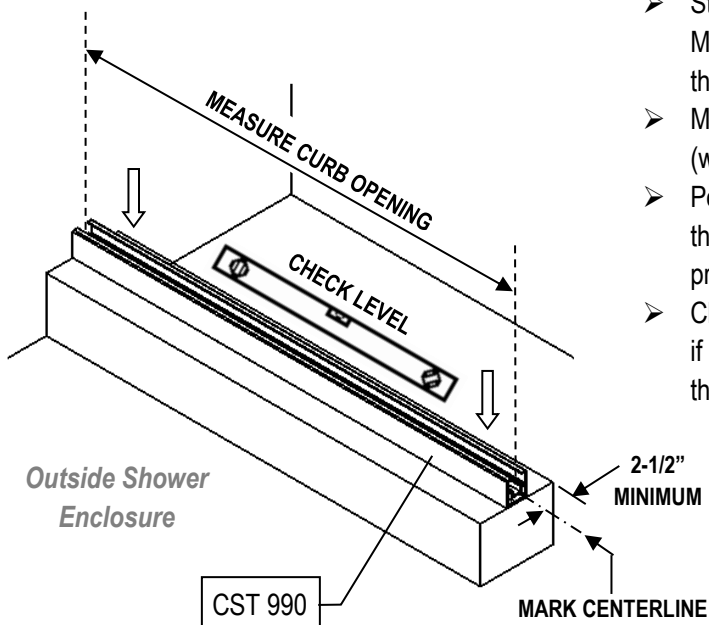
Please call our customer service department at 1-800-874-8601, 8 am - 5 pm EST, Monday to Friday.

## PACKAGE CONTENTS

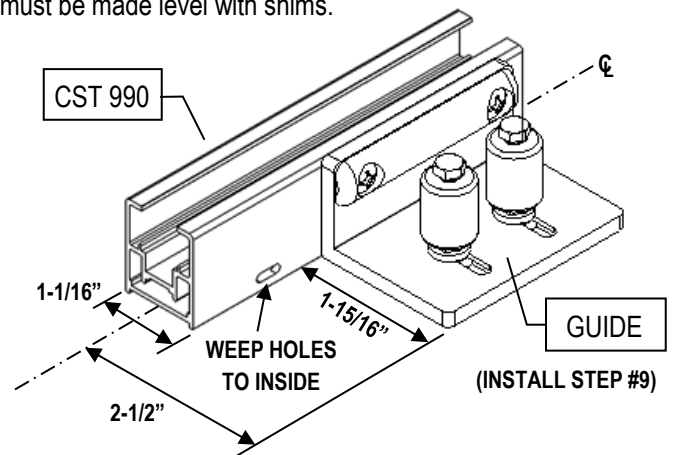
	CST 990	Sill	1
	CST 960	Header	1
	CST 901	Sill Cover Dam	1
	CST 962	Header Cover	1
	CST 903	Wall Jamb	2
	CST 964	Door Jamb Cover	1
	C 951 B	Vinyl Gasket	1
	EC RB	Roller Bracket Assembly (with Bumper and #8 x 3/4" Screw)	2
	EC H18	18" C.C. Back-to-Back Door Handle	1
	EC ABG	Adjustable Bottom Guide (with Hex Wrench and 2x #8 x 5/8" Screw)	1
	1329	Plastic Screw Anchor	6
	6-8114PHP	Installation Screw (#6 Head - #8 x 1-1/4")	6
	834QO	Header Screw (#8 x 3/4")	2
	CP938	Setting Block	4
	ECS58 & ECS916	Hex Sleeve 5/8" and Hex Sleeve 9/16"	1 + 1
	GLASS3/8	Sliding Door and Fixed Panel Glass (3/8")	1 + 1



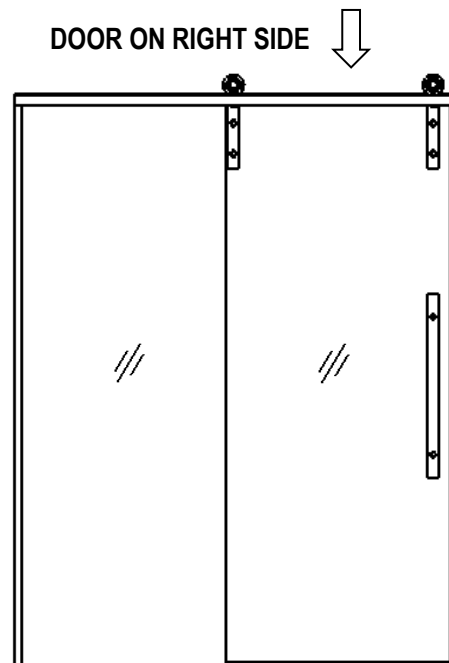
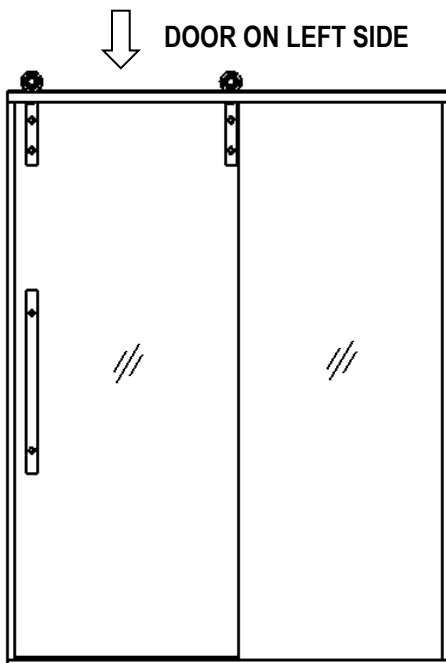
**STEP 1. TRIM, POSITION, AND CHECK LEVEL OF SILL**



- Strike a centerline on the curb where the **Sill CST 990** will sit. Minimum 2-1/2" is required from the centerline to the inside edge of the curb for the **Bottom Guide EC ABG**.
- Measure the opening at the curb along the centerline. Trim the **Sill** (with weep holes) to fit.
- Position and center the **Sill** on the centerline with the weep holes to the inside of the shower enclosure. Temporarily tape in place to prevent movement.
- Check if the **Sill** is level. Make a note of the out-of-level measurement if one side is lower than the other. If measurement exceeds 1/4", then the **Sill** must be made level with shims.

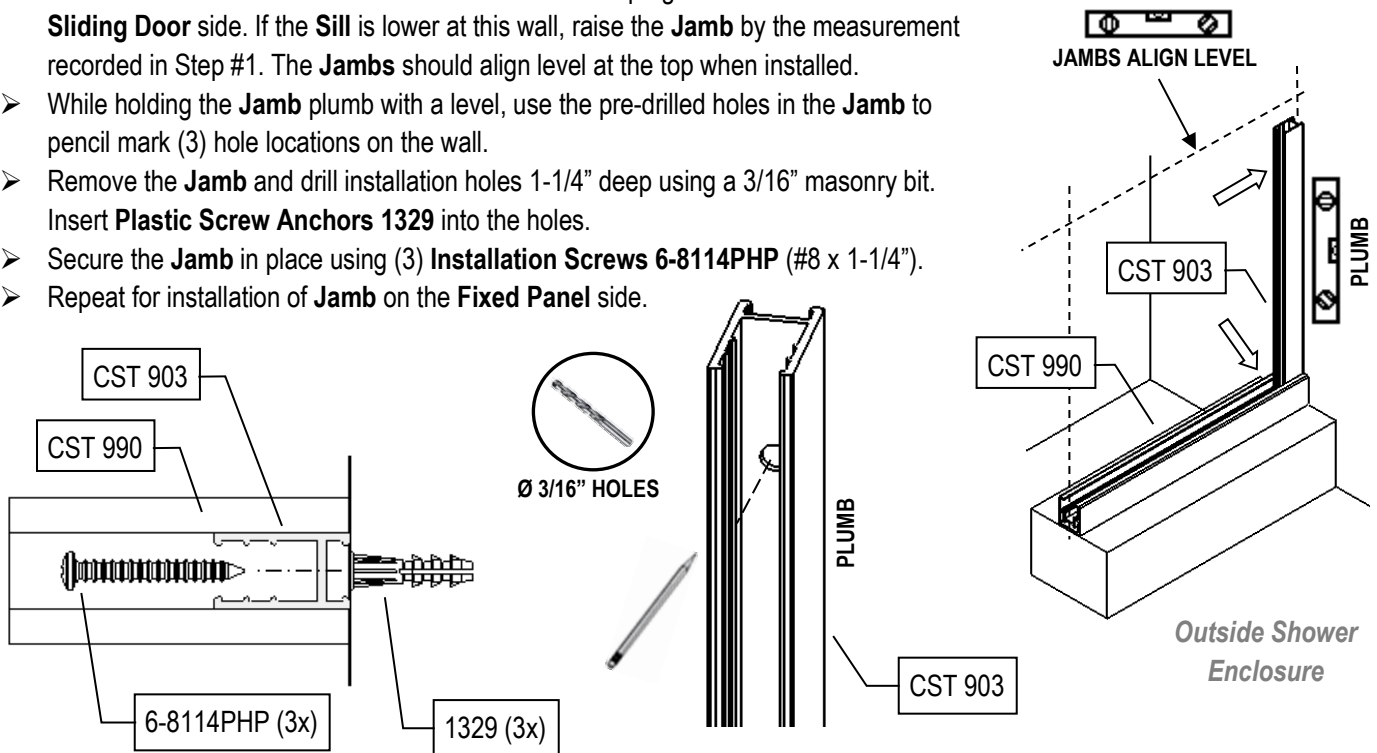


**STEP 2. IDENTIFY DOOR AND FIXED PANEL LOCATION**

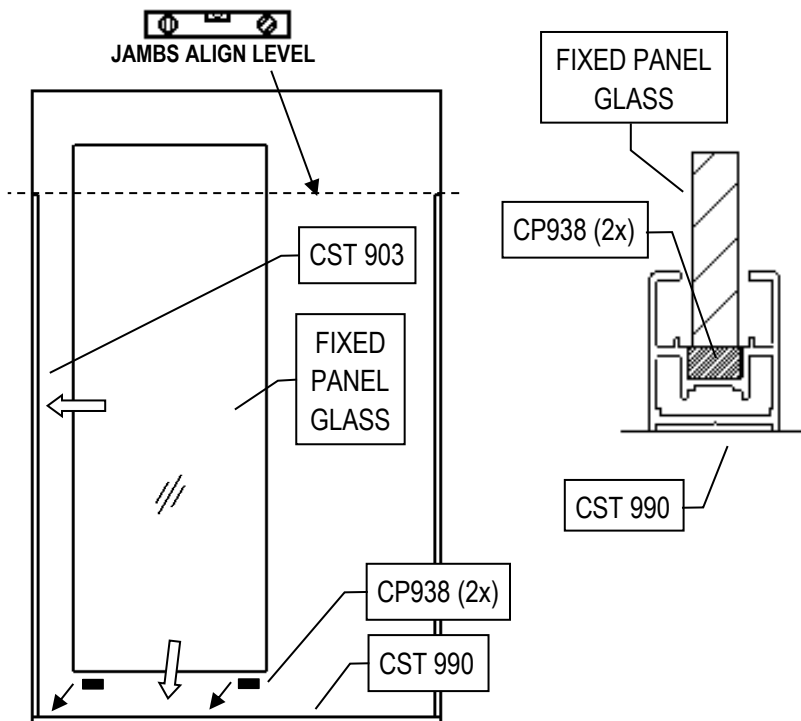


**STEP 3. INSTALL WALL JAMBS**

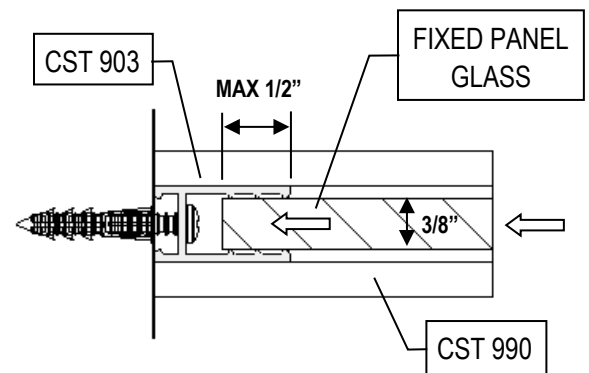
- Set a **Wall Jamb CST 903** into the **Sill CST 990** and up against the wall on the **Sliding Door** side. If the **Sill** is lower at this wall, raise the **Jamb** by the measurement recorded in Step #1. The **Jambs** should align level at the top when installed.
- While holding the **Jamb** plumb with a level, use the pre-drilled holes in the **Jamb** to pencil mark (3) hole locations on the wall.
- Remove the **Jamb** and drill installation holes 1-1/4" deep using a 3/16" masonry bit. Insert **Plastic Screw Anchors 1329** into the holes.
- Secure the **Jamb** in place using (3) **Installation Screws 6-8114PHP** (#8 x 1-1/4").
- Repeat for installation of **Jamb** on the **Fixed Panel** side.



**STEP 4. SET FIXED PANEL**

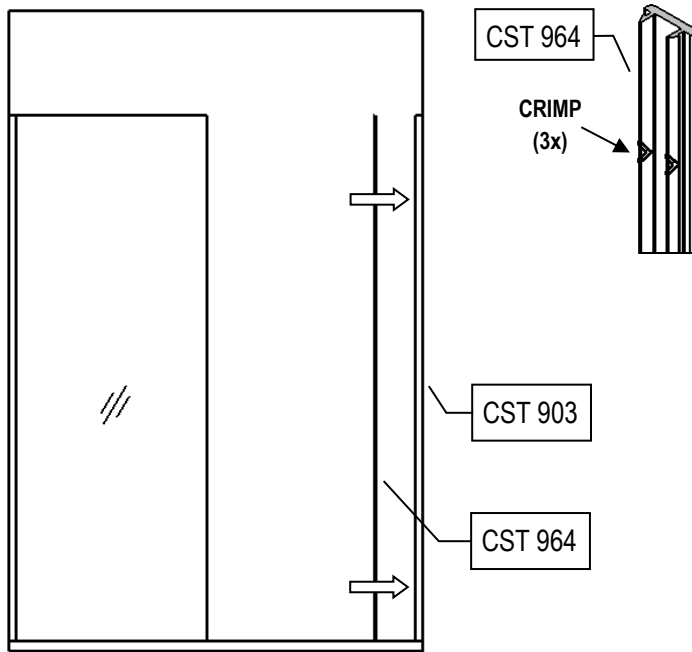


- Place (2) **Setting Blocks CP938** into the **Sill CST 990** at each end of the **Fixed Panel** location.
- Set the **Fixed Panel Glass** onto the **Setting Blocks** in the **Sill** and push the **Glass** into the **Wall Jamb CST 903** (1/2" fully inserted).
- For **Satin Glass**, the **Satin** side is to the outside. For **Glass** treated with **Coastal Clarity**, the treated side is to the inside.

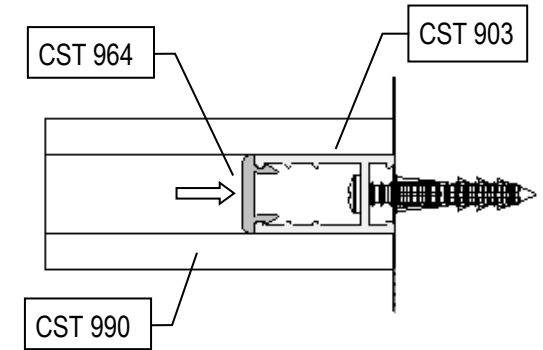


*Outside Shower Enclosure*

**STEP 5. INSERT DOOR JAMB COVER**

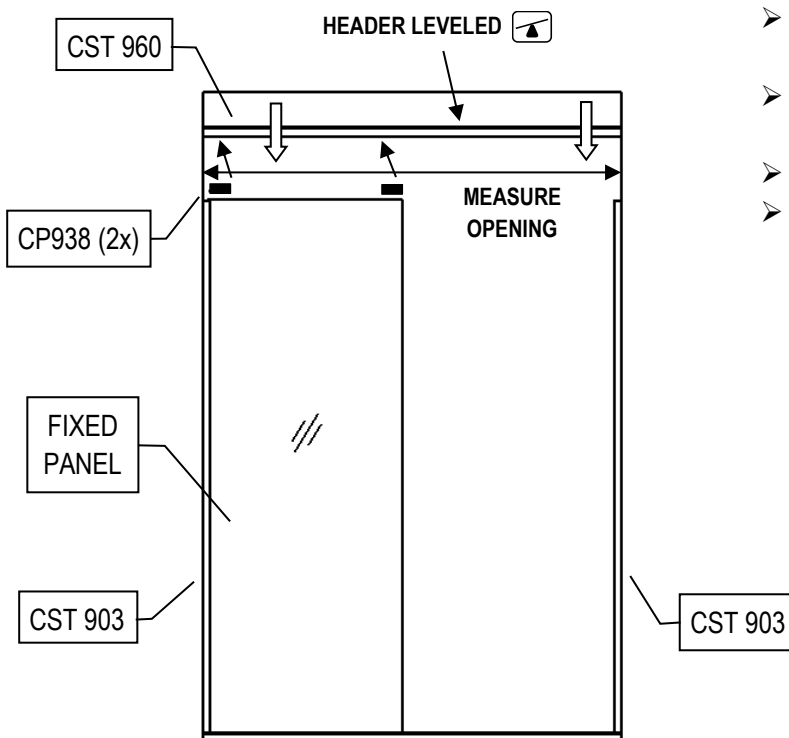


- Crimp the snap legs of the **Door Jamb Cover CST 964** with pliers in three places at top, middle, and bottom (to prevent movement when installed).
- Snap the **Cover** into the **Wall Jamb CST 903** on the **Sliding Door Side**.

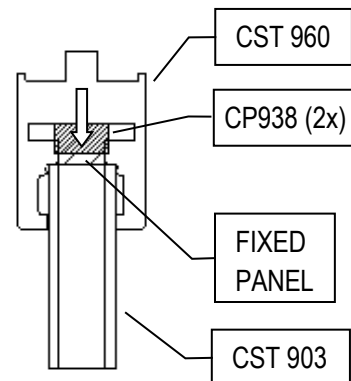


*Outside Shower Enclosure*

**STEP 6. TRIM AND INSTALL HEADER**

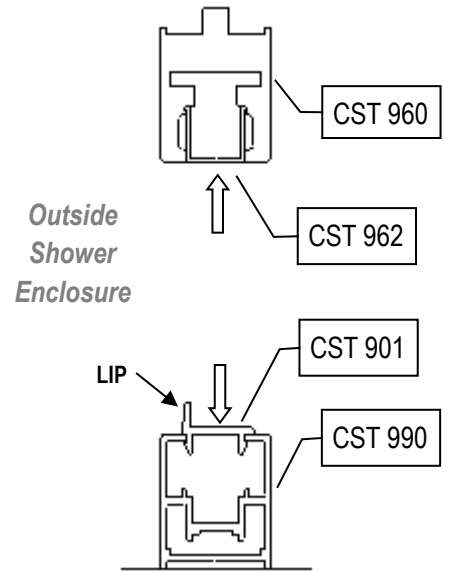
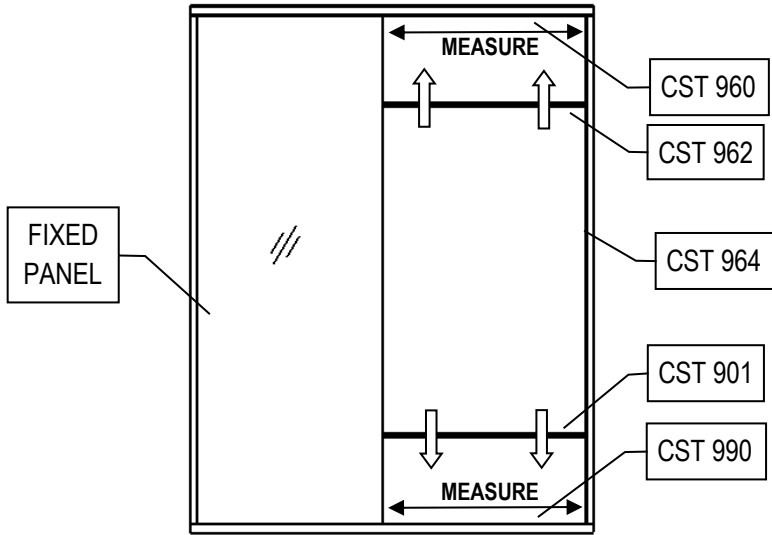


- Measure the finish-to-finish shower opening above the **Wall Jamb CST 903**. Trim the **Header CST 960** to fit.
- Place (2) **Setting Blocks CP938** into the **Header** at each end of the **Fixed Panel** location.
- Set the **Header** over the **Jamb** and **Fixed Panel**.
- Confirm the **Header** is level.

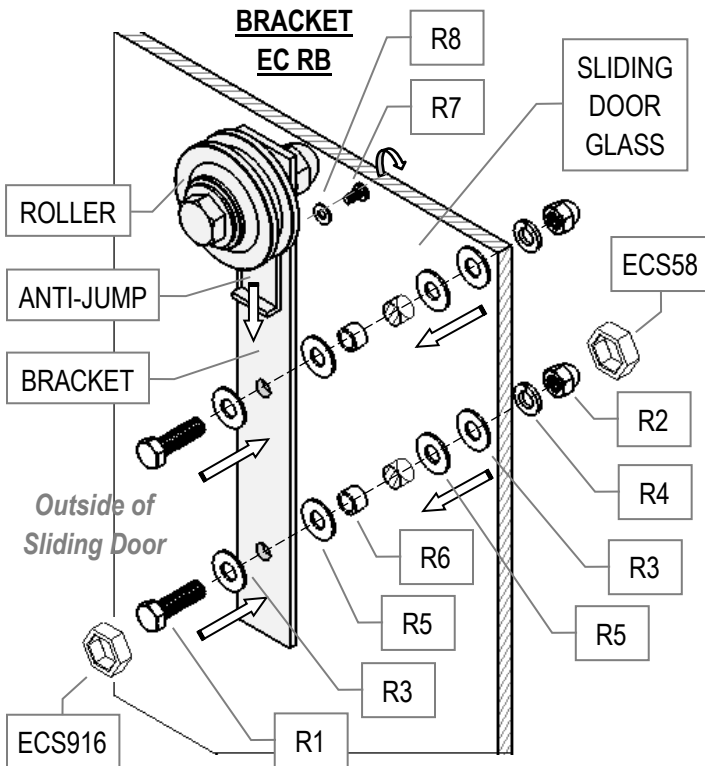


**STEP 7. TRIM AND INSTALL HEADER COVER AND SILL COVER**

- Measure between the **Door Jamb Cover CST 964** and the **Fixed Panel Glass** at the **Header CST 960**. Trim the **Header Cover CST 962** to the measurement obtained.
- Snap the **Header Cover** into the **Header**. Spread the U-Channel legs wider apart for a tighter fit if required.
- Measure between the **Jamb Cover** and **Fixed Panel** at the **Sill CST 990**. Trim the **Sill Cover Dam CST 901** to the measurement obtained.
- Snap the **Sill Cover** into the **Sill** with the lip toward the outside of the enclosure.



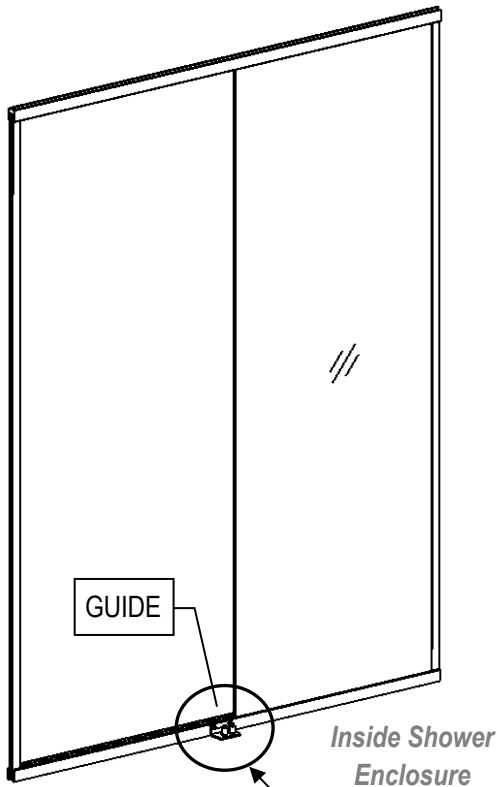
**STEP 8. INSTALL ROLLER BRACKETS TO SLIDING DOOR**



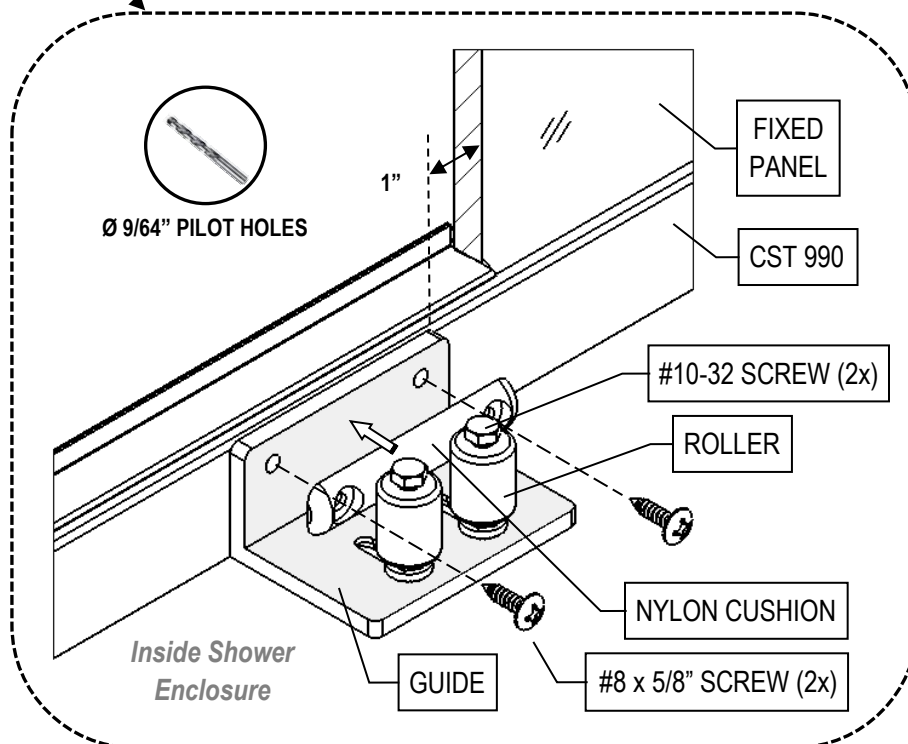
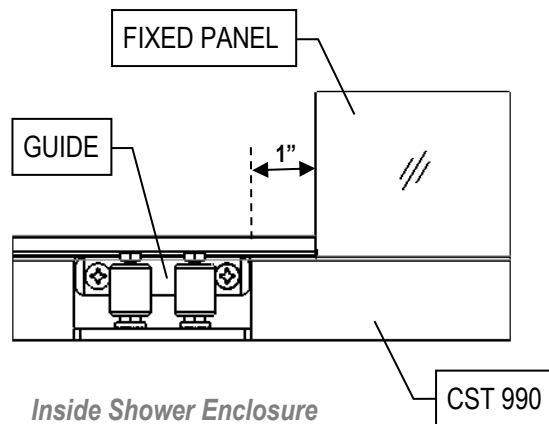
- Loosen the **Cap Nuts (R2)** from the (2) **Panel Screws (R1)** on the **Roller Bracket EC RB**. Use **Hex Sleeves ECS58** and **ECS916** to protect the finish on the **Screws** and **Nuts**.
- Assemble the **Bracket** onto the front of the **Sliding Door** with the **Roller** facing out. Install with **Plastic Washers (R5)** on each side of the **Glass**.
- Set a **Cap Nut** back on each **Screw** and check that the **Bracket** is aligned with the edge of the **Door**. Tighten the **Cap Nuts** until the **Lock Washers (R4)** are flattened.
- Partially loosen the **Anti-Jump Screw (R7)** and lower the **Anti-Jump**.
- Repeat for the second **Roller Bracket**.

Part	Description
R1	3/8"-16 Hex Panel Screw
R2	Cap Nut
R3	Metal Flat Washer
R4	Lock Washer
R5	Plastic Flat Washer
R6	Plastic Bushing
R7	#10-32 Anti-Jump Screw
R8	Anti-Jump Washer(s)

**STEP 9. INSTALL DOOR GUIDE**

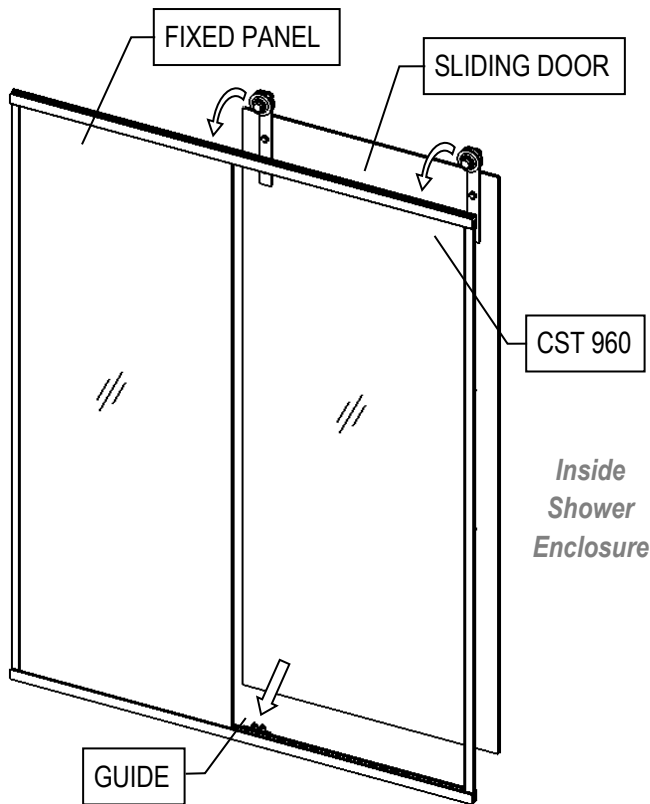


- Place the **Bottom Guide EC ABG** against the inside of the **Sill CST 990** at 1" from the edge of the **Fixed Panel**. Mark hole locations on the back of the **Sill**.
- Remove the **Guide** and drill 9/64" pilot holes 1/4" deep.
- Set the **Guide** back in place with the **Nylon Cushion** over the holes and secure in place using (2) **#8 x 5/8" Screws** (Black Head).
- Partially loosen the **#10-32 Hex Screws** holding the **Rollers** in place and slide the **Rollers** out to the maximum distance.

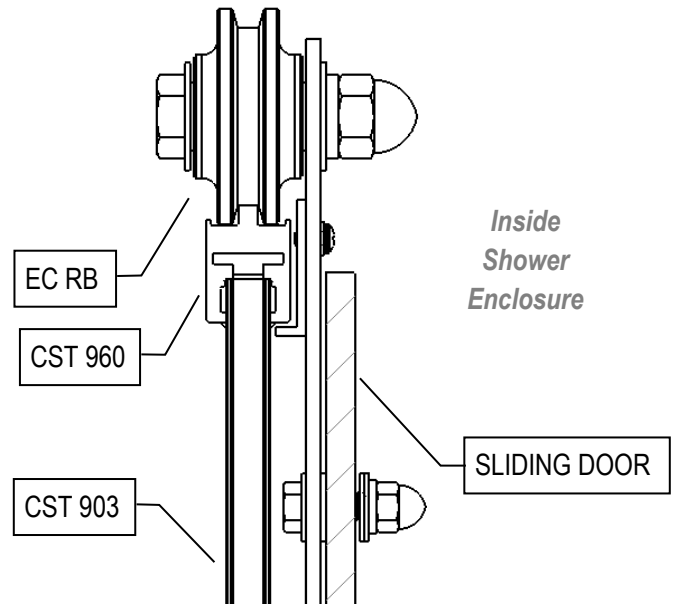




**STEP 10. HANG SLIDING DOOR**

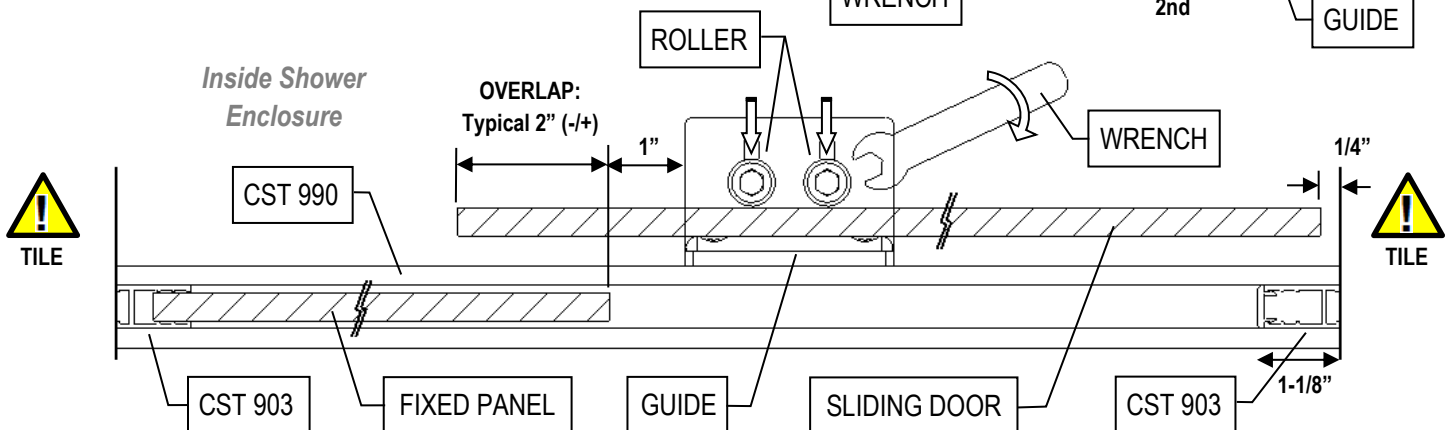
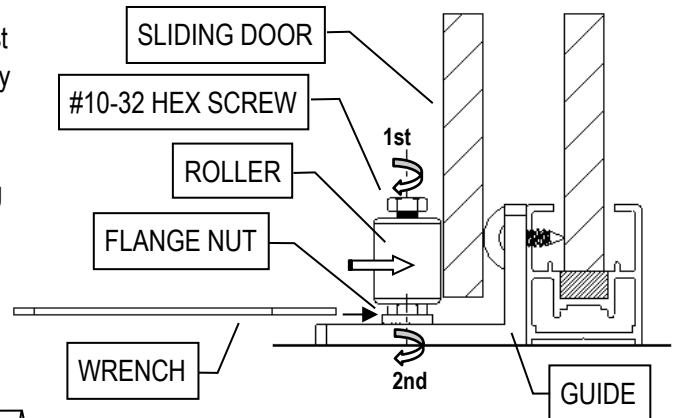


- Bring the **Sliding Door** inside the shower enclosure with the **Roller Brackets EC RB** facing to the outside of the enclosure. (Remove the **Header CST 960** temporarily for easier access.)
- Lift the **Door**, tilt the bottom into the **Bottom Guide EC ABG**, and set the **Rollers** onto the track on top of the **Header**.

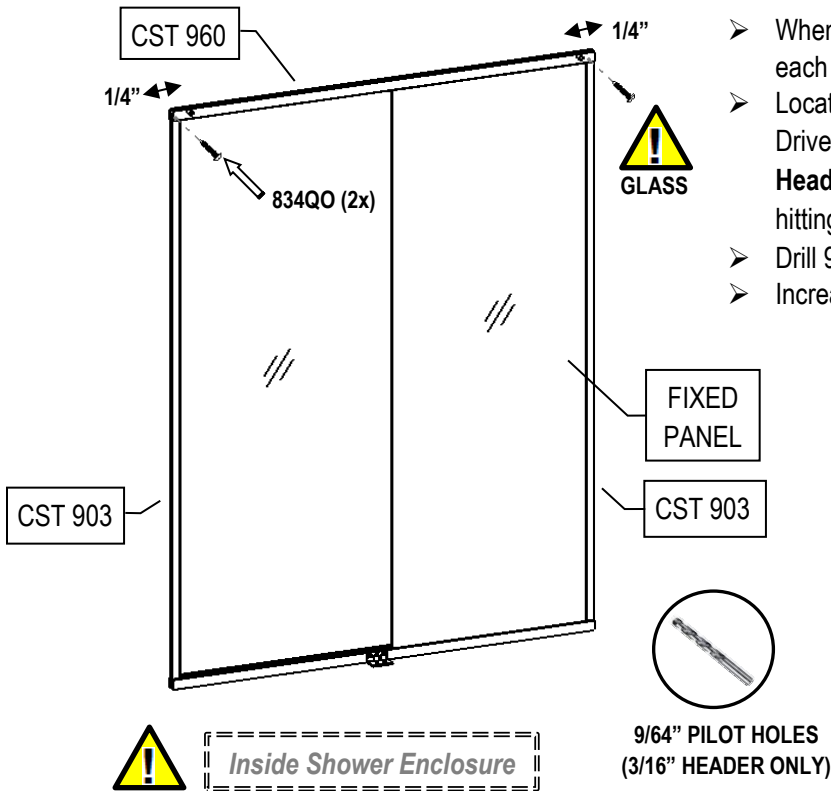


**STEP 11. ADJUST BOTTOM GUIDE AND CHECK DOOR OPERATION**

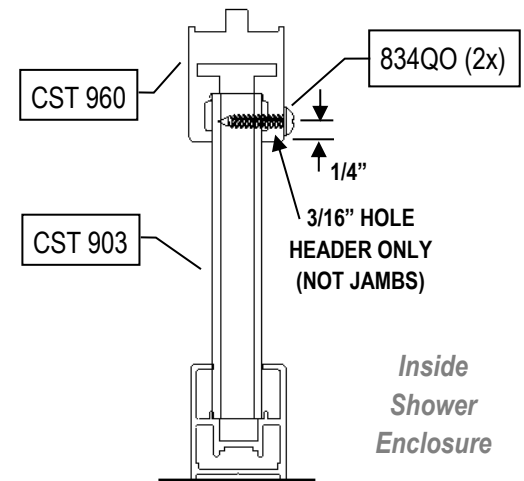
- Push the **Rollers** on the **Bottom Guide EC ABG** tight against the **Sliding Door**. Tighten each **#10-32 Hex Screws** until they stop against the floor. Then use the **Hex Wrench** provided with the **Guide** to tighten the **Flange Nuts** under the **Rollers**.
- Open and close the **Sliding Door** to make sure it is operating properly. **Header CST 960** should be level so that the **Door** does not roll unless pushed.
- **CAUTION:** Handle the **Door** carefully until **Bumpers** are installed. Do not slam the **Door** into tile wall!



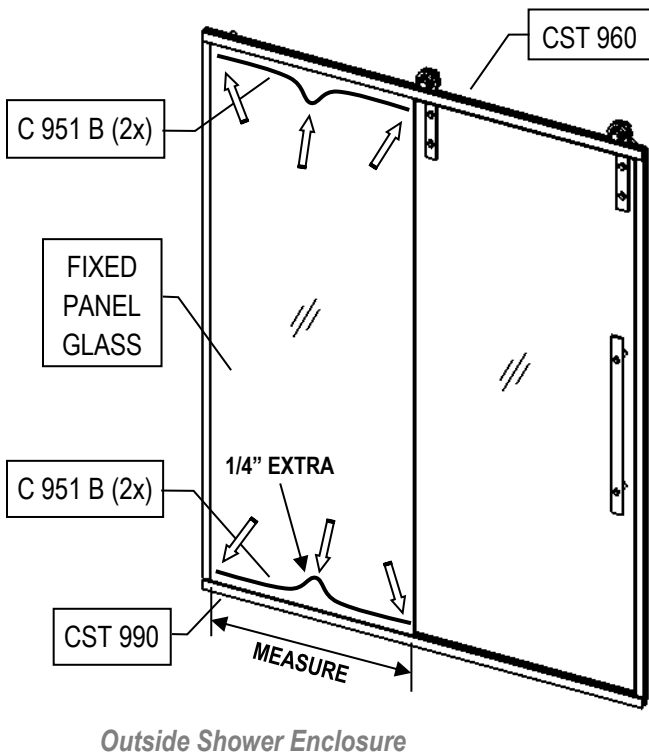
**STEP 12. SECURE HEADER**



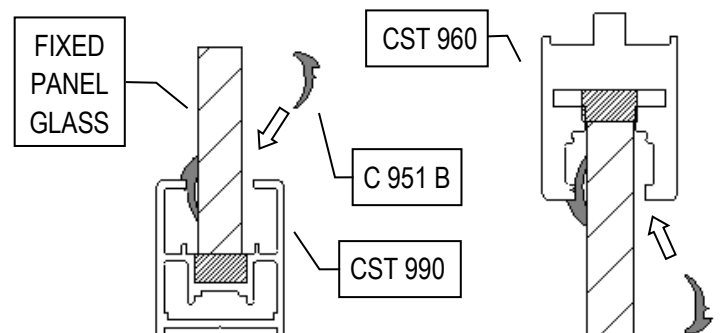
- When satisfied with unit operation, secure **Header CST 960** at each end from inside the enclosure to **Wall Jambes CST 903**.
- Locate **Header Screws 834QO** (#8 x 3/4" Pan Head Combo Drive (Black Head)) vertically at 1/4" from the edge of the **Header**. Place **Screws** at 1/4" from each wall to prevent hitting the **Fixed Panel Glass**.
- Drill 9/64" pilot holes 3/4" deep at each **Screw** location.
- Increase hole size to 3/16" for the **Header** only (not **Jambes**).



**STEP 13. INSERT FIXED PANEL VINYL GASKET**

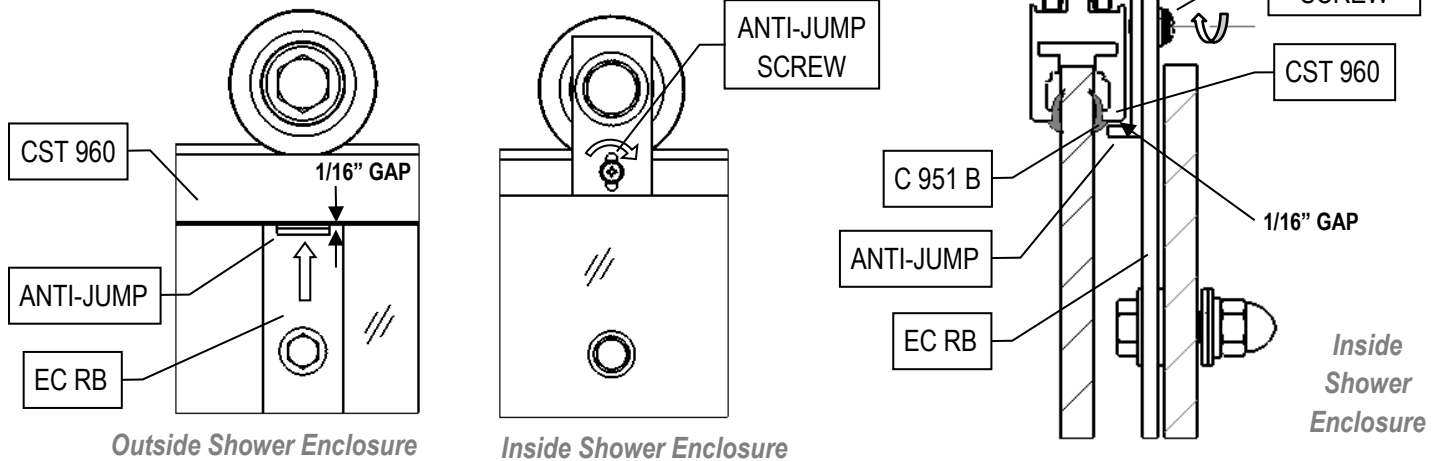


- Measure the exposed **Fixed Panel Glass** width at the **Sill CST 990**. Cut a piece of **Vinyl Gasket C 951 B** to measurement plus 1/4" (for shrinkage).
- Push the **Vinyl** into the seam between the **Sill** and the **Glass** from the outside.
- Repeat on the inside of the **Sill** and at the inside and outside of the **Header CST 960**.

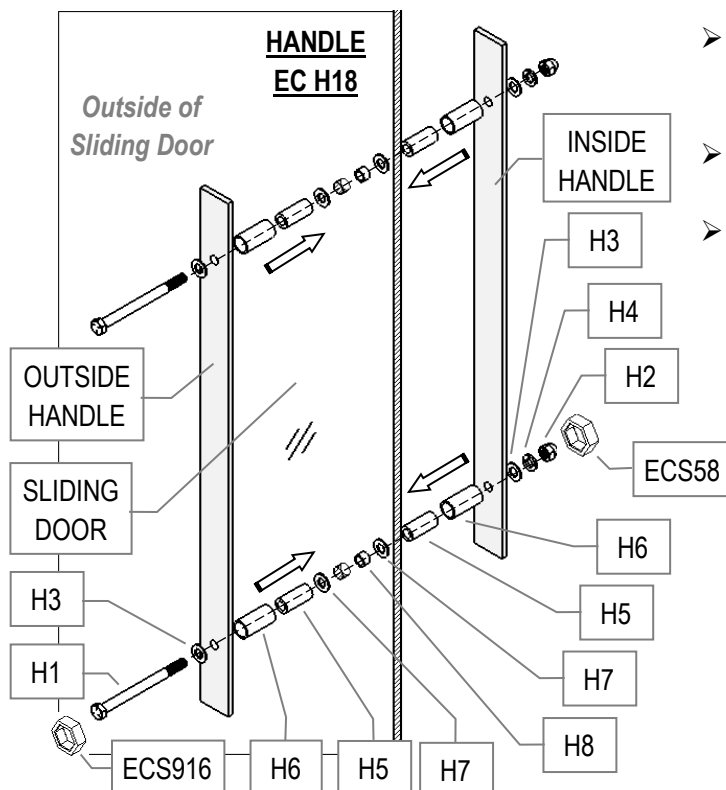


**STEP 14. ADJUST ANTI-JUMP**

- Raise the **Anti-Jump** on the front of the **Roller Bracket EC RB** on the **Handle** side to **1/16"** below the **Header CST 960** and tighten the **Anti-Jump Screw** in the back.
- Raise the **Anti-Jump** on the **Fixed Panel** side to **1/16"** below the **Vinyl Gasket C 951 B** and tighten the **Screw** in the back.



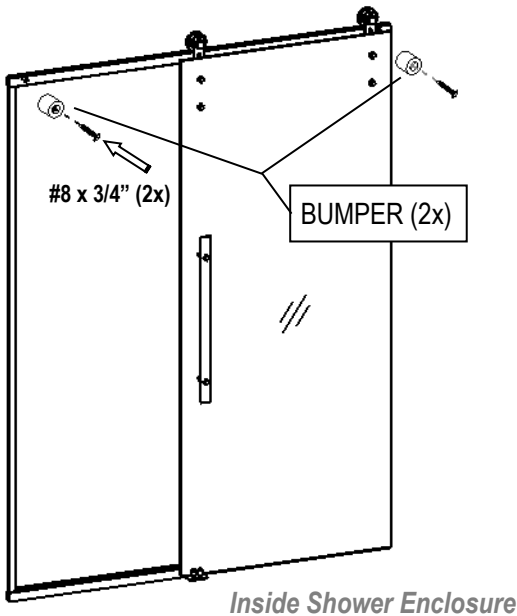
**STEP 15. INSTALL DOOR HANDLE**



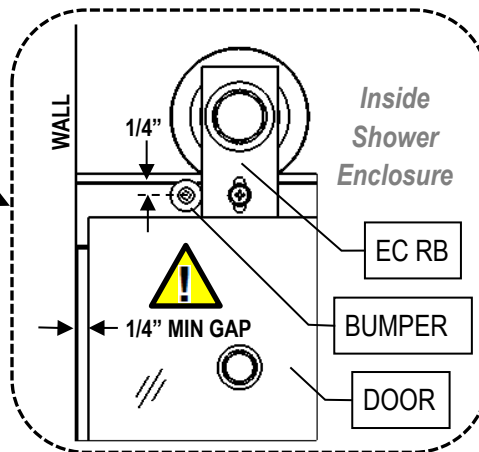
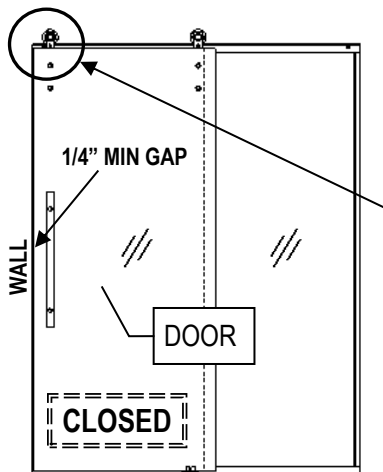
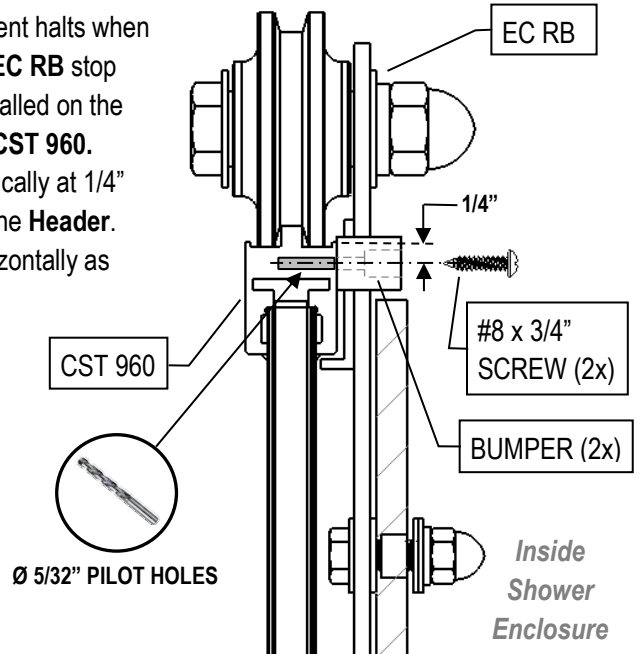
- Loosen the **Cap Nuts (H2)** from the (2) **Handle Screws (H1)** on the **Handle EC H18**. Use **Hex Sleeves ECS58** and **ECS916** to protect the finish on the **Screws** and **Nuts**.
- Assemble the **Handle** onto the front of the **Sliding Door**. Install with **Plastic Washers (H7)** on each side of the **Glass**.
- Set a **Cap Nut** back on each **Screw** on the inside and check that the **Handle** is aligned with the edge of the **Door**. Tighten the **Cap Nuts** until the **Lock Washers (H4)** are flattened.

Part	Description
H1	3/8"-16 Hex Handle Screw
H2	Cap Nut
H3	Metal Flat Washer
H4	Lock Washer
H5	Plastic Stem Bushing
H6	Metal Stem
H7	Plastic Flat Washer
H8	Plastic Bushing

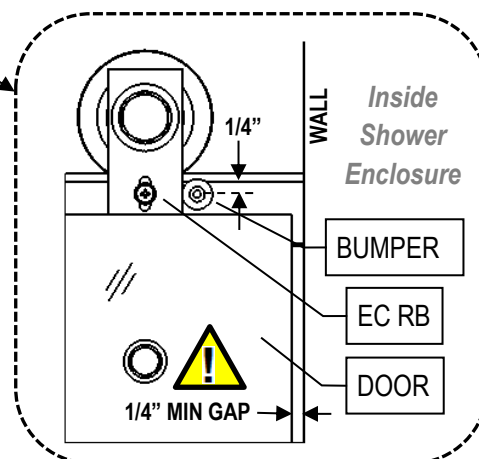
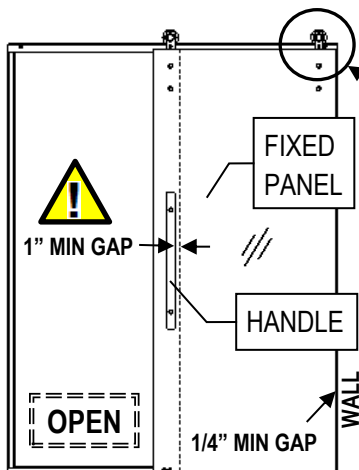
**STEP 16. INSTALL DOOR BUMPERS**



- Sliding Door movement halts when the **Roller Brackets EC RB** stop against **Bumpers** installed on the inside of the **Header CST 960**.
- Locate **Bumpers** vertically at 1/4" from the top edge of the **Header**.
- Locate **Bumpers** horizontally as detailed below.

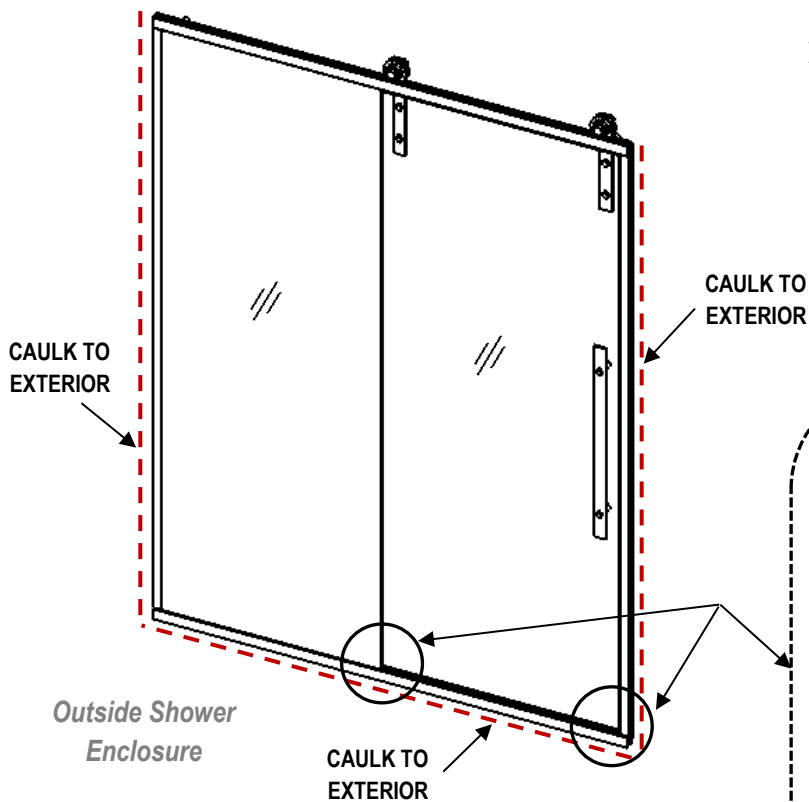


- Close the **Door** with a minimum 1/4" gap from the **Door** to the **wall**.
- Place the first **Bumper** on the back of the **Header** against the **Handle-side Roller Bracket EC RB**.
- Mark hole location on the **Header**.
- Drill 5/32" pilot hole 5/8" deep.
- Secure **Bumper** with **#8 x 3/4" Screw** (Black Head).

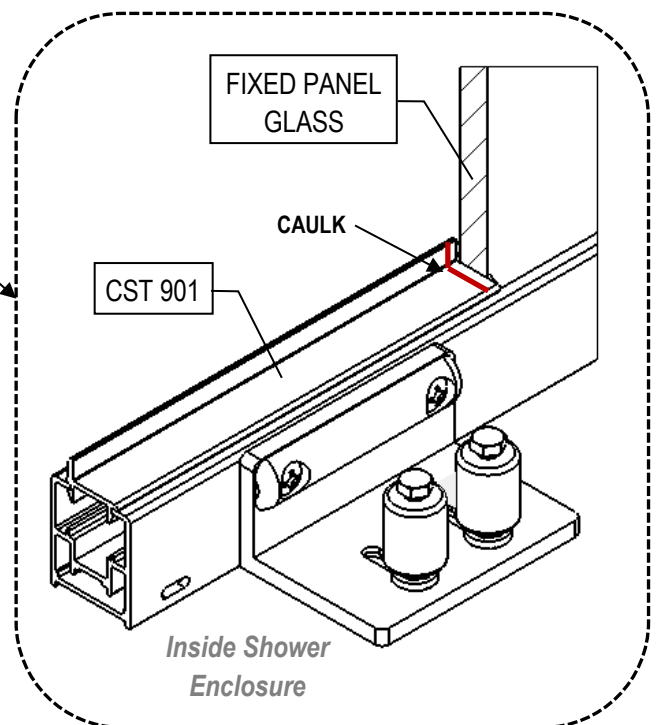


- Open the **Door** with minimum 1" gap from the **Handle EC H18** to the **Fixed Panel**. Also check for minimum 1/4" gap from **Door** to the **wall**.
- Place the second **Bumper** on the back of the **Header** against the **Panel-side Roller Bracket EC RB**.
- Mark hole location on the **Header**.
- Drill 5/32" pilot hole 5/8" deep.
- Secure **Bumper** with **#8 x 3/4" Screw** (Black Head).

**STEP 17. SEAL UNIT EXTERIOR**



- To complete the installation, run a bead of clear mildew resistant caulking around the outside perimeter of the shower at the **Sill CST 990** and the **Wall Jambs CST 903**.



- Caulk the crevices where the **Sill Cover Dam CST 901** meets the **Fixed Panel Glass** and **Door Jamb Cover CST 964**.
- Follow the caulking manufacturer's instructions before using the shower.