

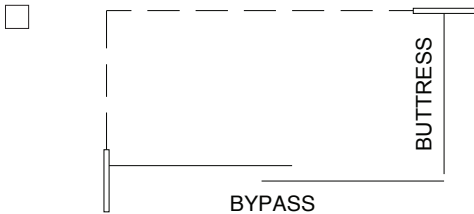
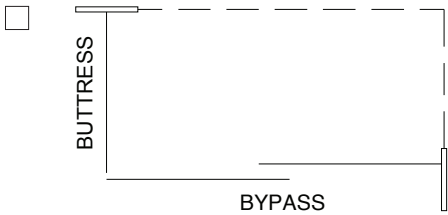
Company Name/Address _____

Job Name _____

No. of Units Required _____

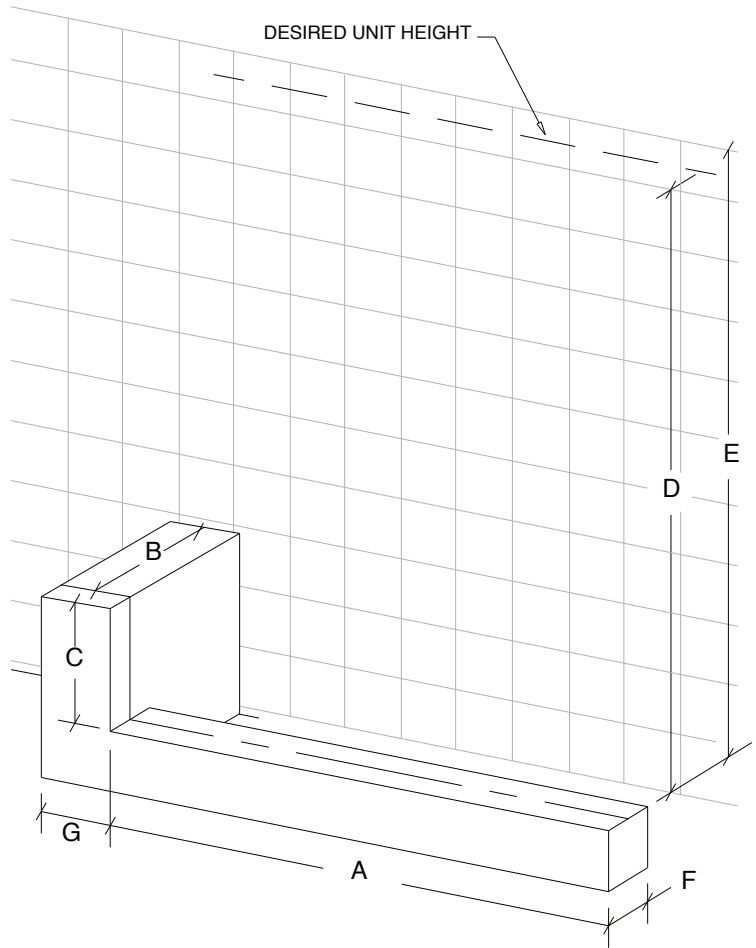
Configurations

(Choose and mark one below)



Bypass Door w/ End Panel

(End panel on a buttness)



Unit Model Type

- GRIDSCAPE™
- CHALLENGER
- NEWPORT
- PARAGON® "B" Series Frameless
- PARAGON® Framed
- PARAGON® Frameless 1/4"
- PARAGON® Frameless 3/8"
- Other _____

Metal Finish Color

- Silver
- Nickel
- Oil Rubbed Bronze
- Other _____

Glass Type

- Clear
- Obscure
- KD
- Other _____

Description

- A. Opening Width _____
(from wall to buttness wall)
- B. End Panel Centerline _____
(from wall to curb centerline)
- C. Buttness Height _____
(from top of curb to top of buttness)
- D. Unit Height (from top of curb) _____
- E. Tile Height (from top of curb) _____
- F. Curb Width _____
- G. Buttness Width _____

Glass Thickness

- 3/16"
- 1/4"
- 3/8"

Etch Design Required

- Yes

Coastal Clarity™

- Yes

NOTE: 3/8" hinge door applications require 3/8" Frameless Shower Door order form.

Fax Number

- (904) 641-1697 (Jacksonville, FL)
- (770) 542-1005 (Atlanta, GA)
- (713) 405-1005 (Houston, TX)
- (904) 641-1697 (Rockwell, NC)