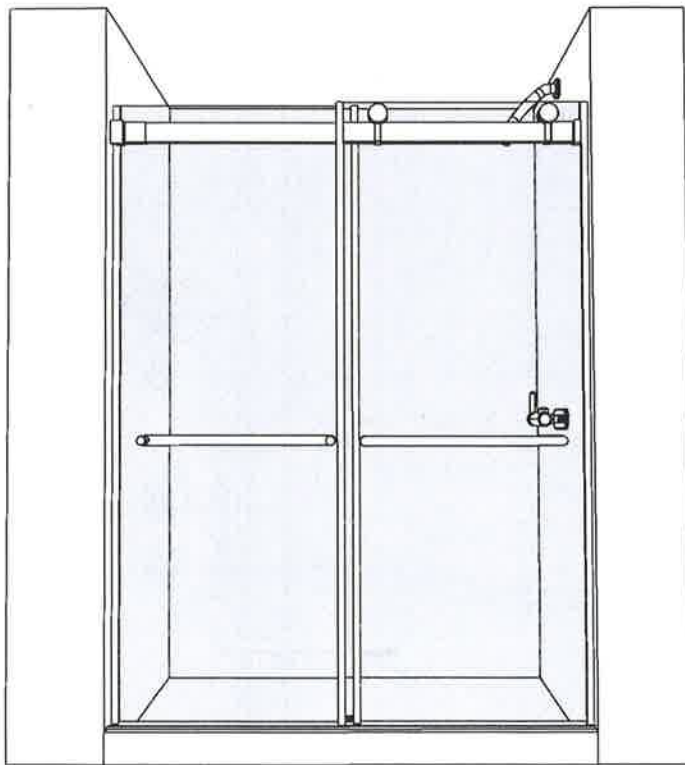
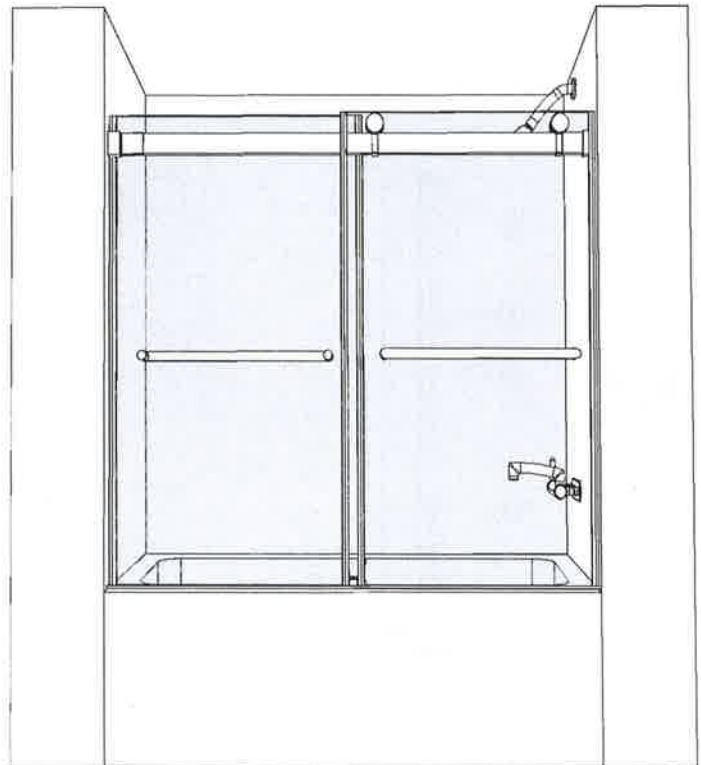


Thank you for purchasing our shower door. We hope that our product will provide you with a satisfying experience for many years to come. Prior to installation, thoroughly study the installation guide. **Failure to follow the steps correctly may result in injury, improper door operation and/or warranty voidance. Please take this matter seriously.** Local building and plumbing codes often specify a minimum door egress. Codes differ by locale, so the installer is responsible for code compliance. Walls directly behind the mounting surface of the door must be properly backed with wooden studs and the screws provided **MUST** engage those studs to support the weight of the enclosure.

Installation onto inadequately supported surfaces voids the warranty without question and presents a danger to the user. Irregular installation surfaces with extreme variances in plumb, level and pitch may preclude proper door operation. Radiused corners, improper angles of side walls or bowed walls will result in serious problems for your installation. Great care must be given to protect the exposed glass edges at all times. During installation, the slightest contact with a hard surface may trigger the tempered safety glass to shatter. For these and other reasons we recommend the installation be performed by a trained professional.



Shower Enclosure



Tub Enclosure

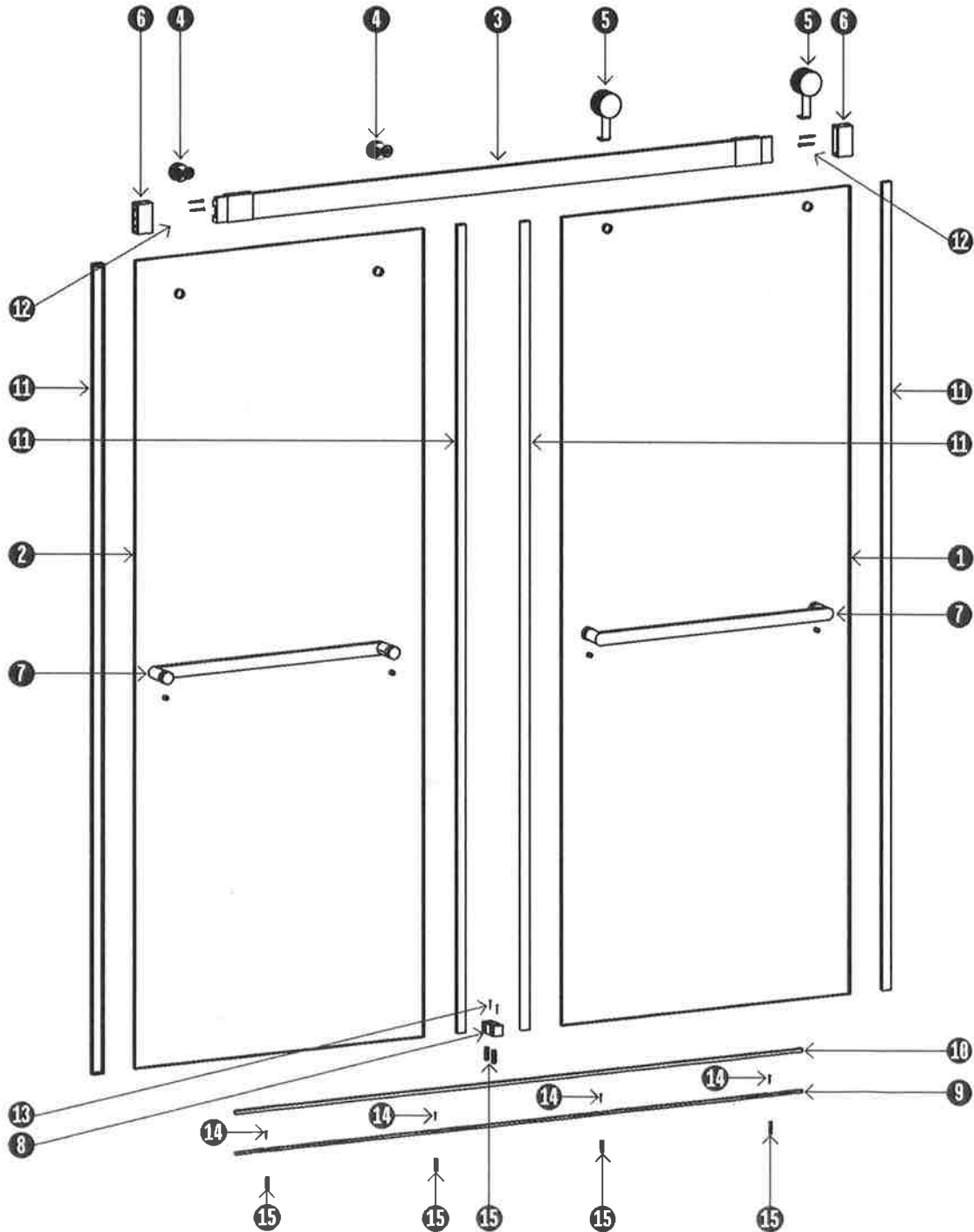
ATTENTION: PRIOR TO STARTING THE INSTALLATION, PLEASE READ THROUGH THESE INSTRUCTIONS. THIS WILL HELP AVOID ANY UNNECESSARY DAMAGE. ANY BREAKAGE DUE TO HANDLING OR INSTALLING THIS ENCLOSURE SYSTEM IS THE RESPONSIBILITY OF THE INSTALLER AND IS NOT COVERED UNDER WARRANTY. IT IS RECOMMENDED THAT TWO PEOPLE INSTALL THIS SHOWER ENCLOSURE SYSTEM DUE TO THE WEIGHT AND FRAGILITY OF THE GLASS PANELS. PLEASE PROTECT ALL PRIMARY GLASS SURFACES OF THE PRODUCT. NEVER PLACE THE GLASS DIRECTLY ONTO A TILE SURFACE. LEAVE CORNER PROTECTORS IN PLACE UNTIL NECESSARY TO REMOVE THEM. NEVER PLACE OR LEAN GLASS ON ITS CORNERS EVEN THOUGH IT HAS PROTECTORS ON. ALWAYS USE PIECE OF WOOD OR CARDBOARD TO PROTECT THE BOTTOM EDGE AND CORNERS OF THE GLASS PRIOR TO AND DURING INSTALLATION.

INSTALLATIONS SHALL BE MADE ACCORDING TO MANUFACTURER'S INSTRUCTIONS AND DRAWINGS.

support@coastalshowerdoor.com






PARTS- EXPLODED VIEW

- 1 EXTERIOR DOOR
- 2 INTERIOR DOOR
- 3 DOOR RAIL
- 4 INTERIOR ADJUSTABLE GLIDING WHEEL
- 5 EXTERIOR ADJUSTABLE GLIDING WHEEL
- 6 DOOR RAIL WALL CONNECTOR
- 7 HANDLE
- 8 DOOR GUIDE
- 9 THRESHOLD BASE
- 10 THRESHOLD COVER
- 11 "U" SEAL WITH BULB ATTACHMENT
- 12 SCREW ST5X50
- 13 SCREW ST4X25
- 14 SCREW ST4x25
- 15 FLOOR ANCHOR

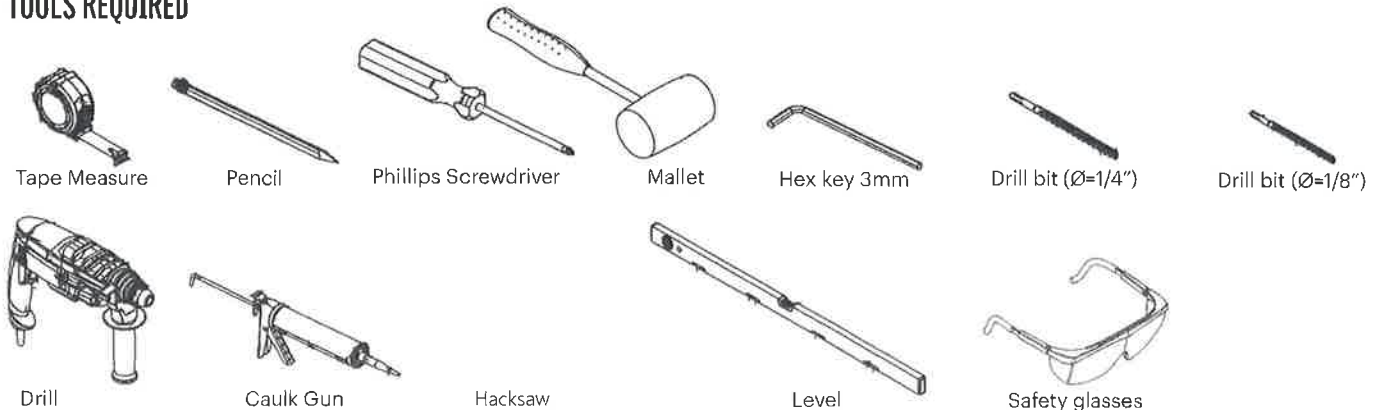


CAUTION: Risk of injury or product damage. Do not attempt to cut tempered glass.
WARNING! Never use Door Handle to support yourself. This is for towels or wash cloths only.

PARTS LIST

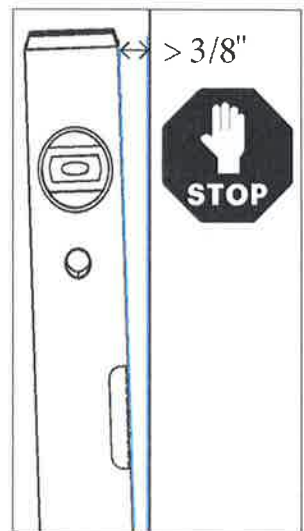
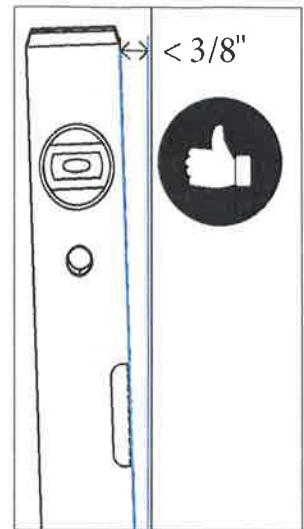
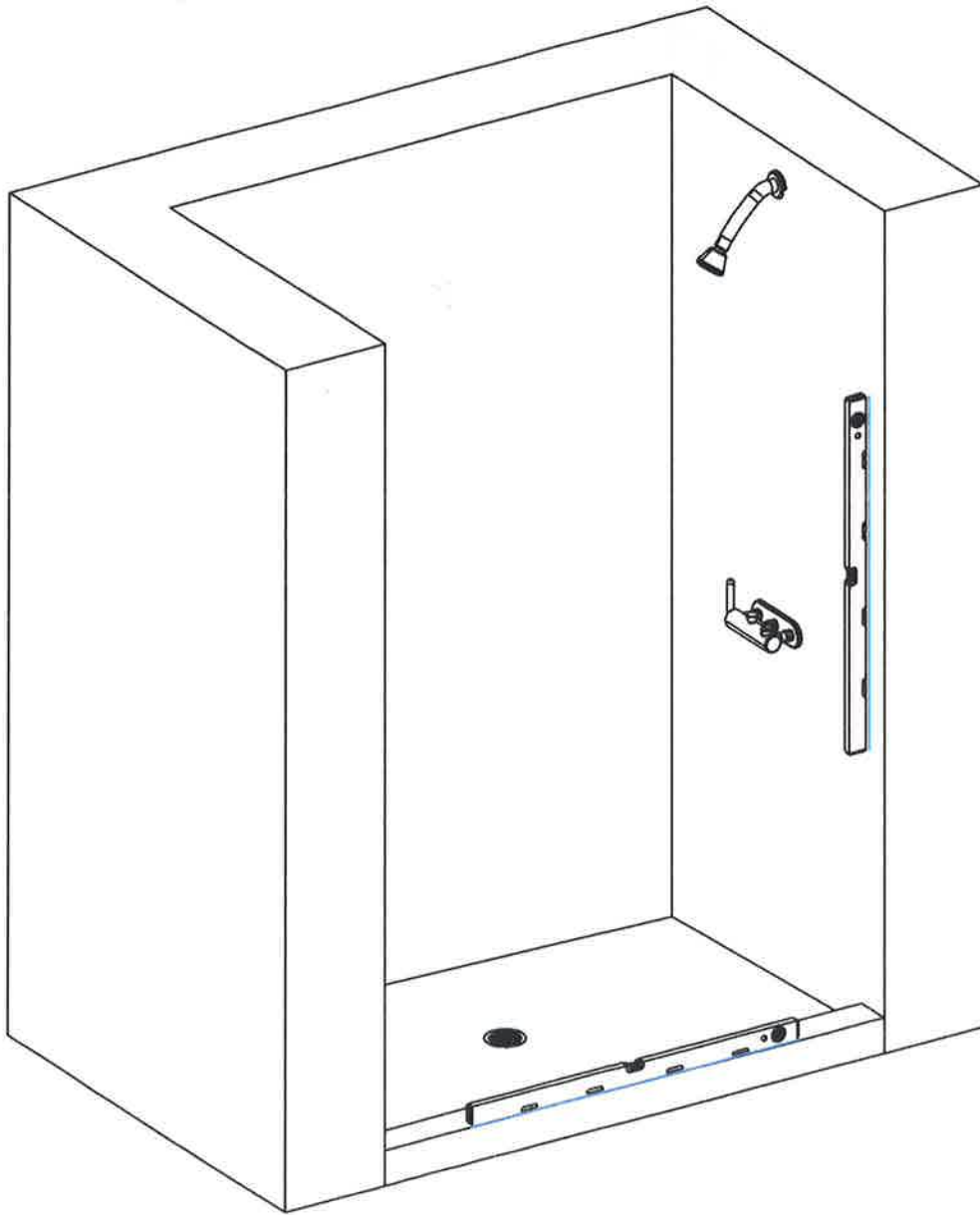
 <p>1 Exterior door x1</p>	 <p>2 Interior door x1</p>	 <p>3 Door rail x1</p>	 <p>4 Interior adjustable gliding wheel x2</p>	 <p>5 Exterior adjustable gliding wheel x2</p>
 <p>6 Door rail wall connector x2</p>	 <p>7 Handle x2</p>	 <p>8 Door guide x1</p>	 <p>9 Threshold base x1</p>	 <p>10 Threshold cover x1</p>
 <p>11 "U" Seal with bulb attachment x4</p>	 <p>12 Screw ST5x50 x6</p>	 <p>13 Screw ST4x25 x2</p>	 <p>14 Screw ST4x25 x4</p>	 <p>15 Floor Anchor x6</p>

TOOLS REQUIRED

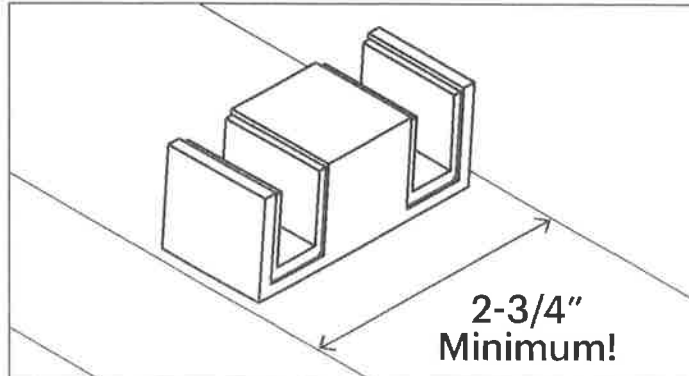


IMPORTANT:

Determine if your tub/shower enclosure ledge is leveled and walls are plumb as shown in sketch. If they are out of level/plumb, by more than 3/8", **STOP!** and call Customer Service.

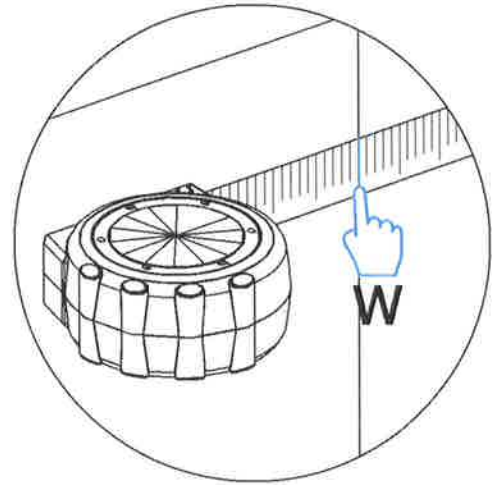
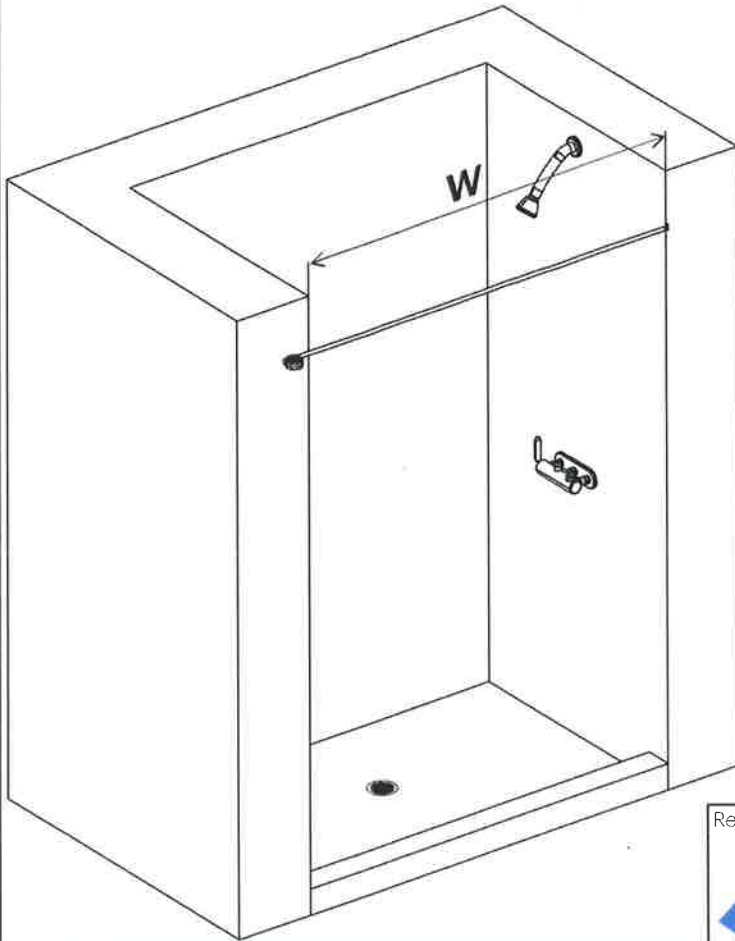


Note: The minimum threshold requirement is 2-3/4" of flat threshold space.



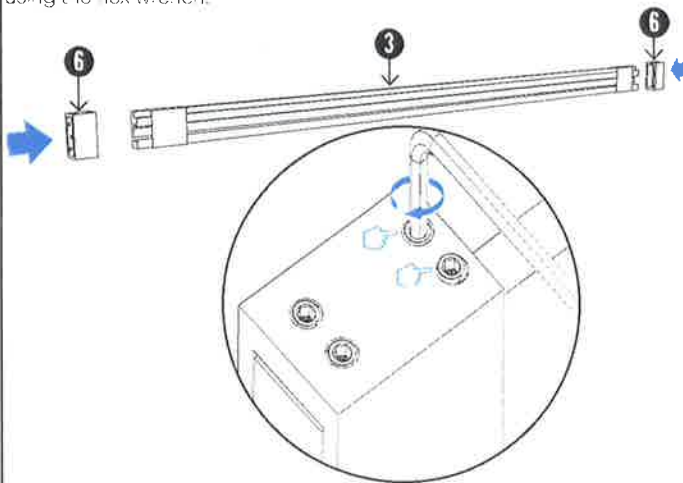
STEP 1

Measure the distance between two finished walls at the top. Mark this distance as "W".

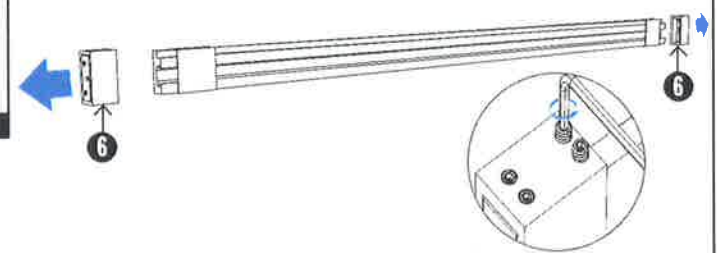


STEP 2

Your **Door Rail** has been pre-cut to a specific size. Slide the **Door Rail Wall Connectors** onto each end of the **Door Rail**. Secure them temporarily using the hex wrench.



Remove the **Door Rail Wall Connectors**.

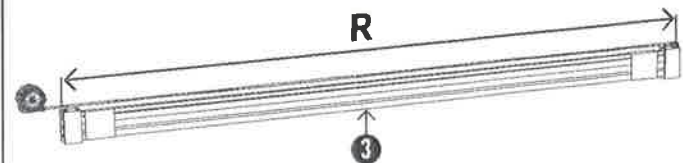


If measurement "R" is greater than measurement "W" you will need to cut off the **Door Rail**. The **Door Rail** can be cut off from both ends. The length to cut off is "R" - "W" = "C".

FOR EXAMPLE:

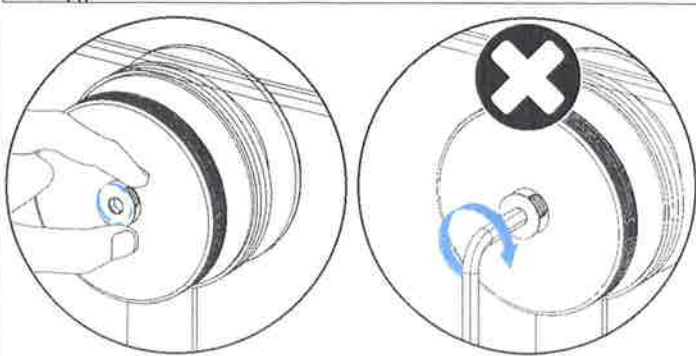
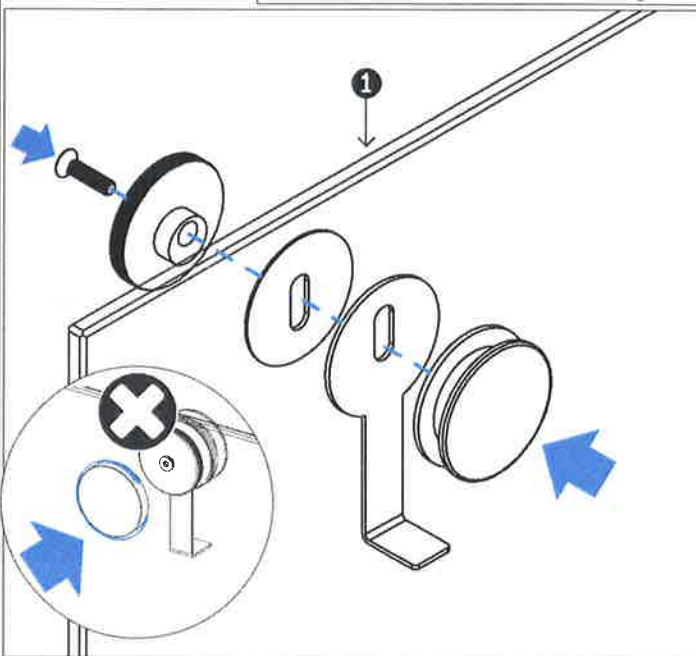
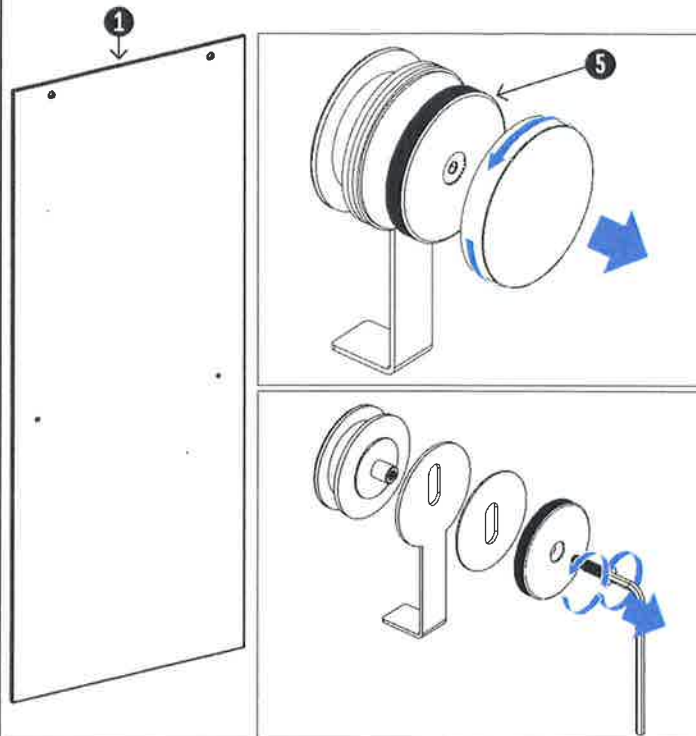
If the **Door Rail** assembly with the **Door Rail Wall Connectors** = 48" ("R") and finished opening = 46" ("W") then you need to cut off 2" from the **Door Rail**. Example: 48" - 46" = 2" cut off.

Measure length of the **Door Rail** with the **Door Rail Wall Connector** at each end. Mark this size as "R".

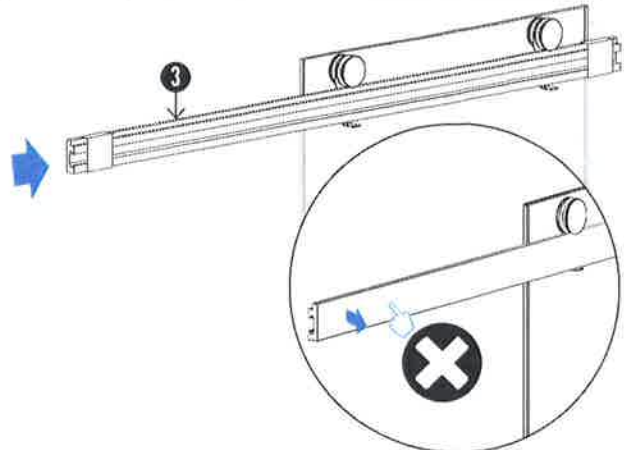


STEP 3

Place the **Exterior Door** on a flat surface. Install the **Exterior Adjustable Gliding Wheels** onto the **Exterior Door**. Do not tighten the hex screws and back cover.

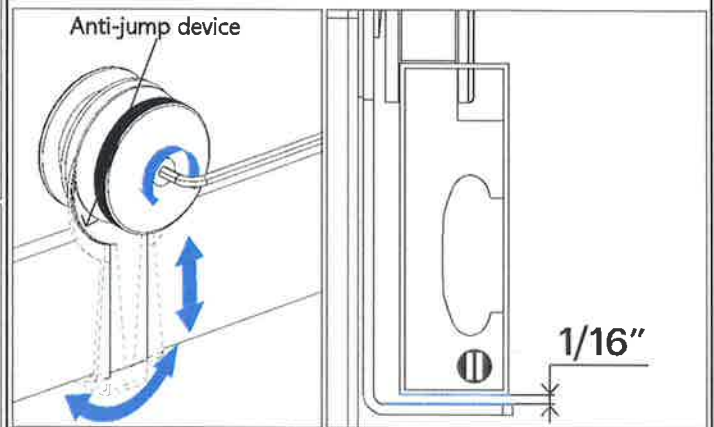
**STEP 4**

Slide the **Door Rail** between the **Exterior Adjustable Gliding Wheels** and its **Anti-jumper device**. Make sure flat surface of the **Door Rail** is toward the **Exterior Door**.

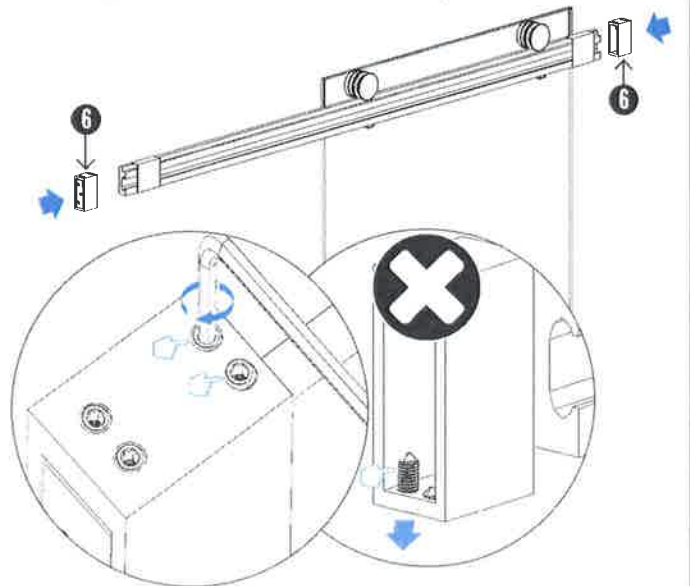


Adjust the **Anti-jumper device** by realising the hex screw on the back of the cover and sliding or turning the **Anti-jumper device**.

Note: For smooth gliding ensure the lower part of the **Anti-jumper** is 1/16" spaced and parallel to the lower edge of the **Door Rail**.



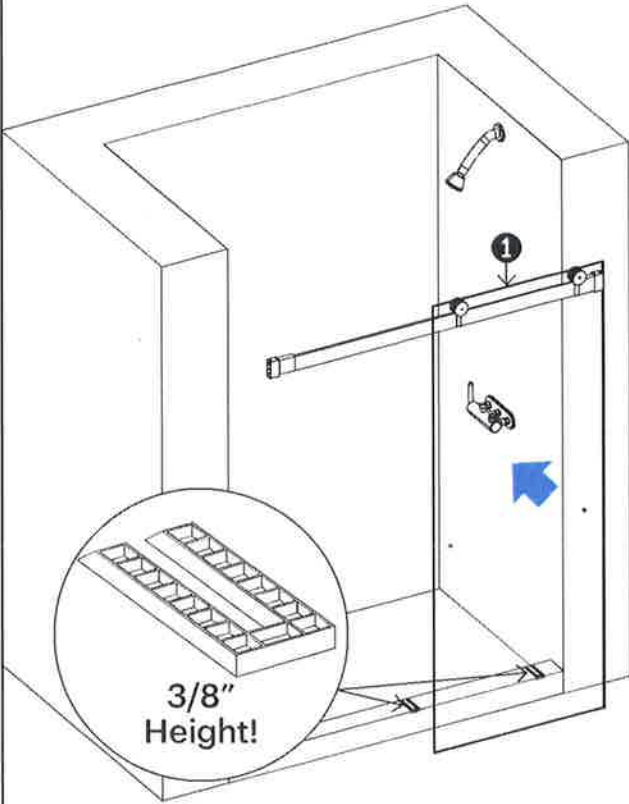
Slide the **Door Rail Wall Connectors** back onto each end of the **Door Rail**. Secure them temporarily using the hex wrench. Make sure the hex screws are on the top of the **Door Rail Wall Connectors**.



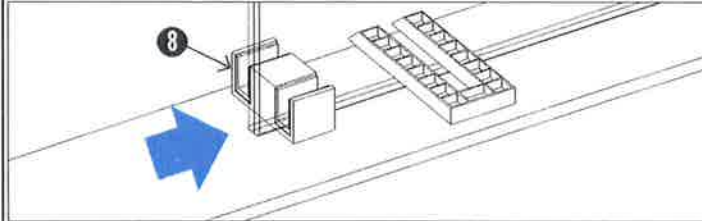
Note: Back disc of the **Exterior Adjustable Gliding Wheels** allows for horizontal **Exterior Door** adjustment. Turn the adjustment disc to the middle position in order to do horizontal adjustment later.

STEP 5

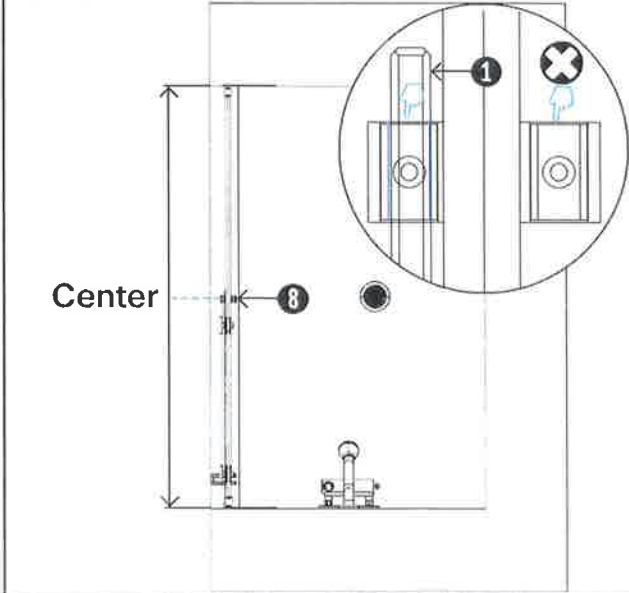
Place the **Exterior Door** onto pre-installed shower base or tub. Use 3/8" height shims on both sides to lift the **Exterior Door** off the threshold.



Slide the **Door Guide** under the **Exterior Door**.

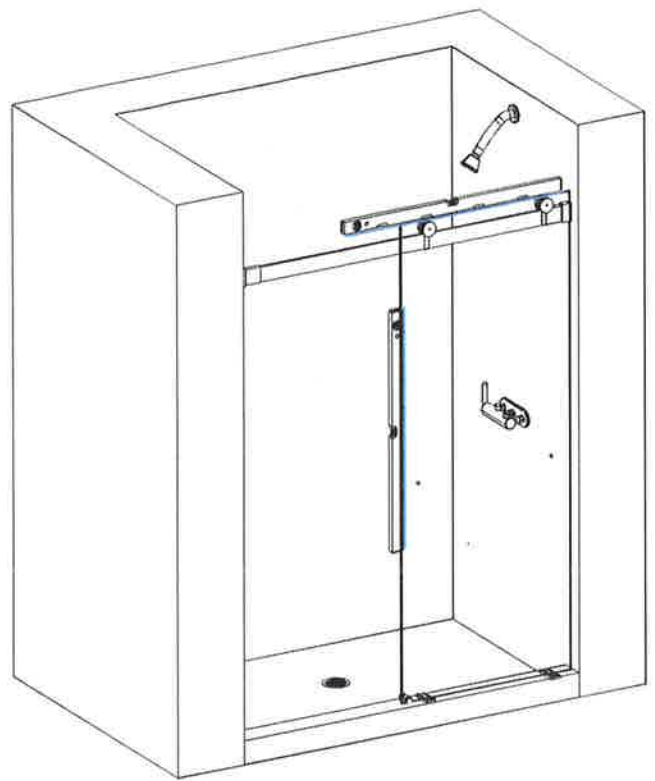


Note: The **Exterior Door** must be installed outside of the **Door Rail**. Do not center the **Exterior Door** on the threshold. Use the **Door Guide** for reference. Center the **Door Guide** on the threshold.
Note: Make sure lower edge of the **Exterior Door** is inside exterior slot of the **Door Guide**.

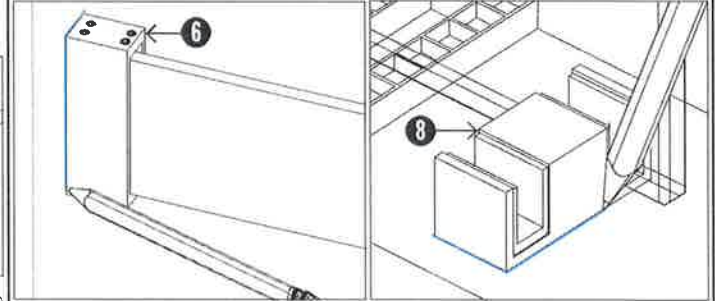


STEP 6

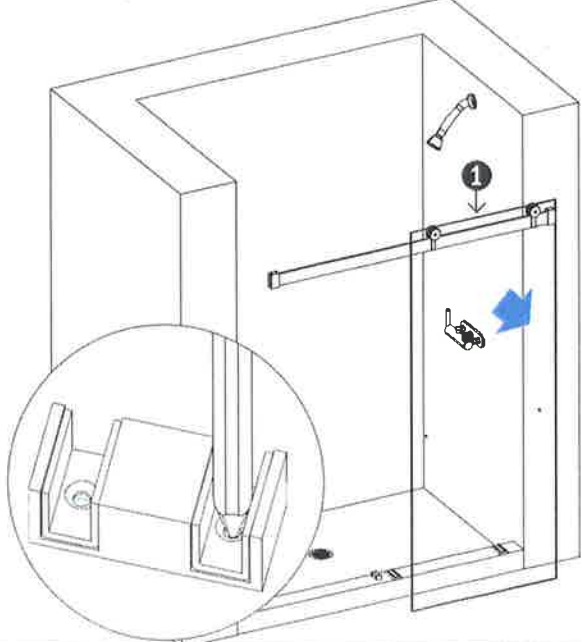
Level the **Exterior door** and **Door Rail** horizontally and vertically.



Outline both **Door Rail Wall Connectors** and the **Door Guide**.

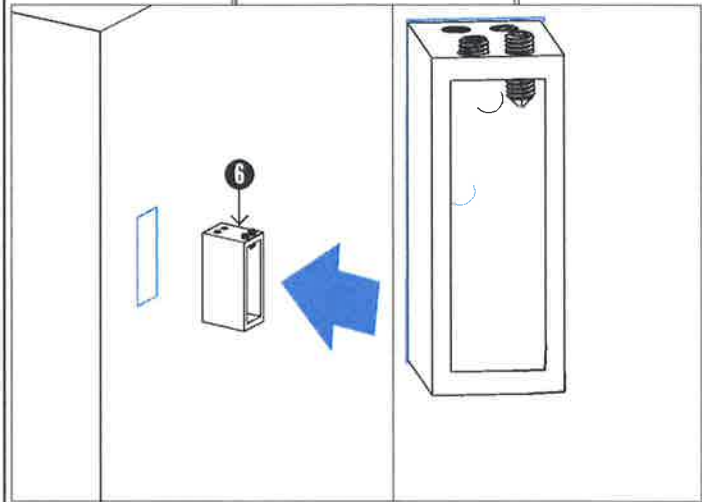
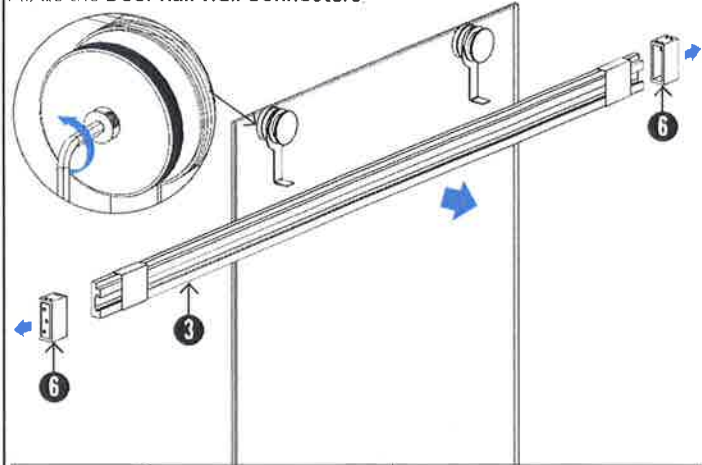


Place the **Exterior Door** back on the flat surface and mark holes through the **Door Guide**.

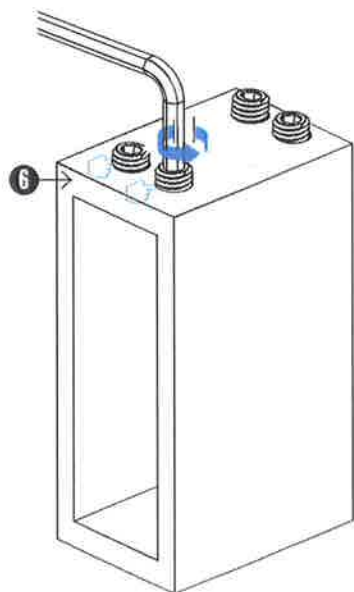


STEP 7

Remove the **Door Rail** from the **Exterior Door**. Remove the **Door Rail Wall Connectors** and place them on outlined positions. Mark holes through inside the **Door Rail Wall Connectors**.



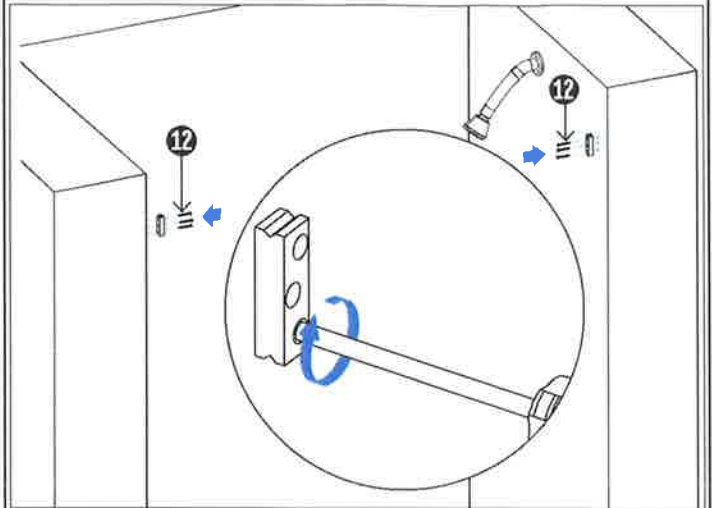
Release two hex screws that hold a plate inside each the **Door Rail Wall Connectors** and remove the plates.



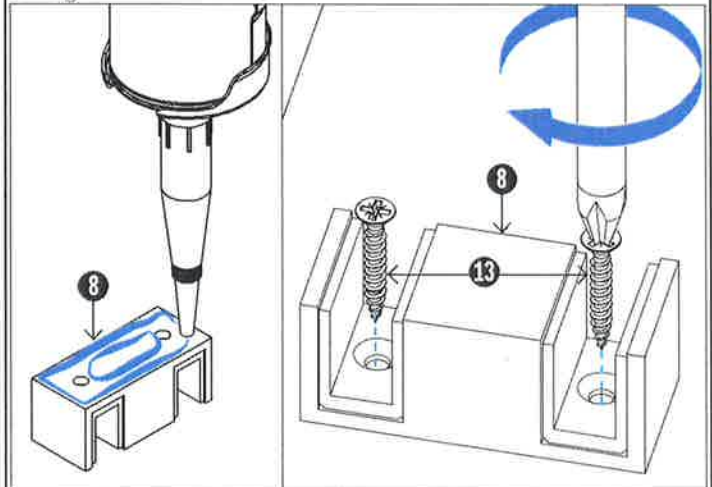
STEP 8

Fasten the **Door Rail Wall Connectors** plates to the wall using the **Screw ST5X50**.

Note: Installing the **Door Rail Wall Connectors** into studs or wooden reinforcement behind the wall is mandatory.



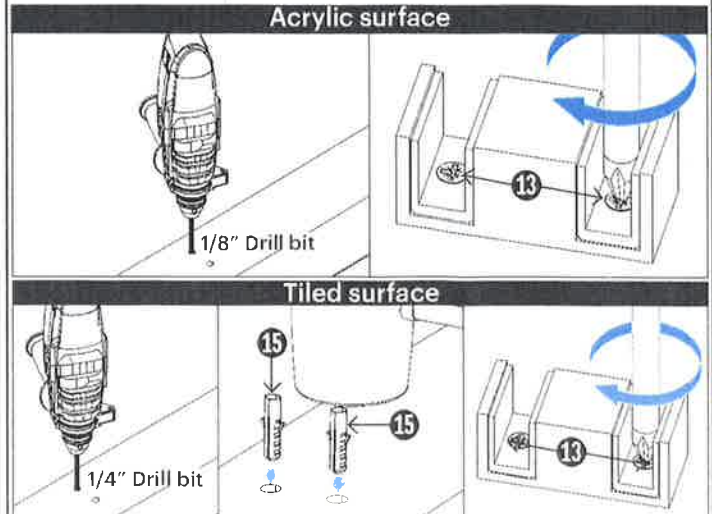
To install the **Door Guide**, apply silicon to the underside of the **Door Guide**. Place the **Door Guide** on the threshold. Align with marked holes and fasten it using the **Screw ST4x20**.



Note: For installation into acrylic surface pre-drill hole with 1/8" drill bit and use the **Screw ST4x20**.

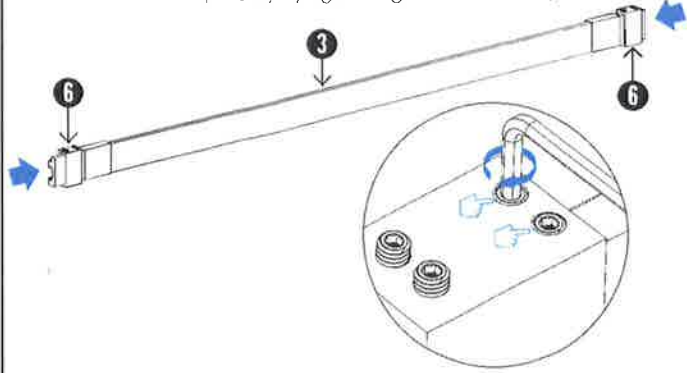
OR

For installation into tiled surface drill 1/4" hole. Install the **Floor Anchor** and use the **Screw ST4x20**.

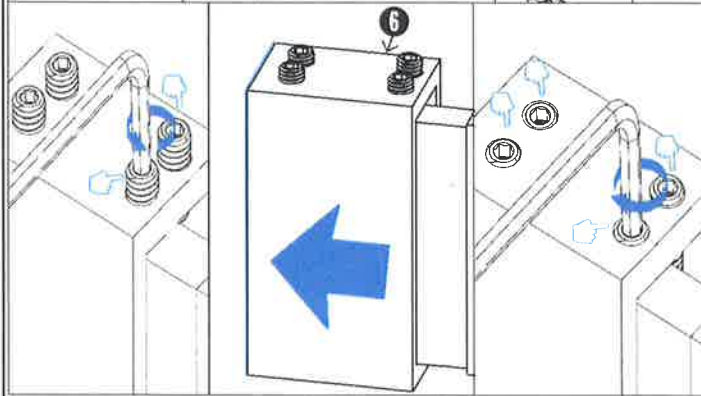
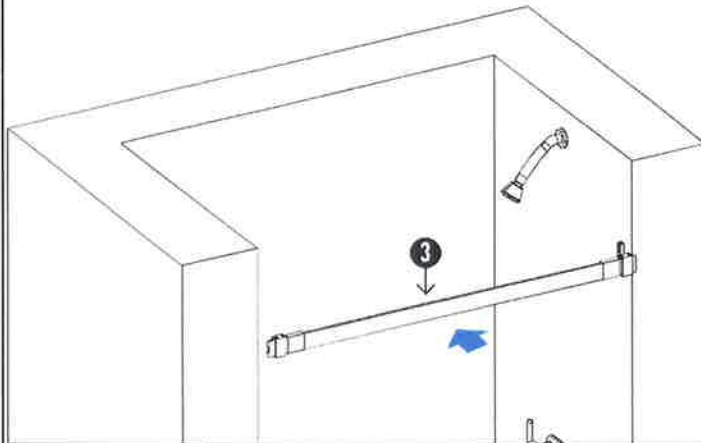


STEP 9

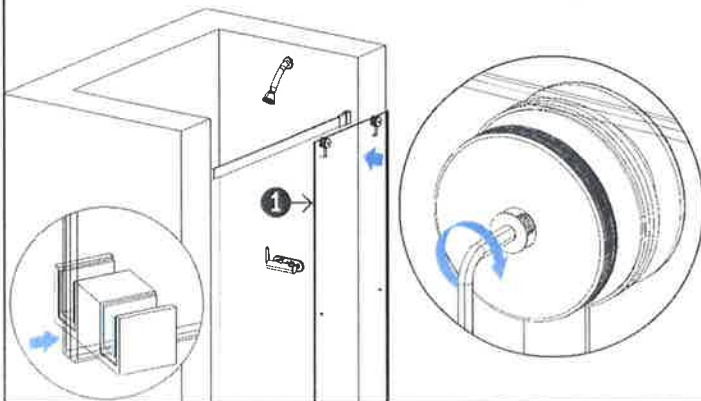
Slide the **Door Rail Wall Connectors** back onto each end of the **Door Rail**, and secure them temporarily by tightening the hex screws.



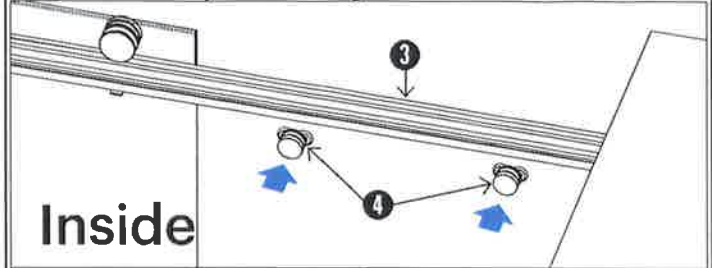
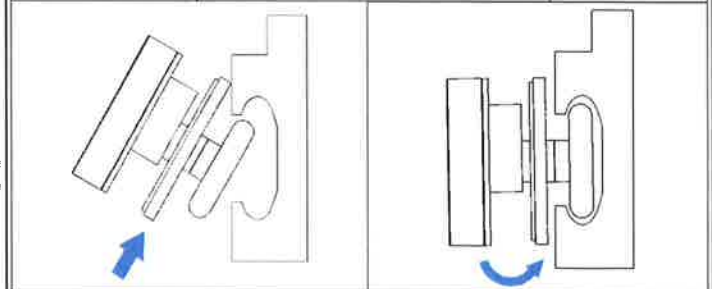
Place the **Door Rail** between the plates. Release the hex screws and move the **Door Rail Wall Connectors** over the plates. Fasten to its plates and to the **Door Rail** by tightening 4 hex screws on each side.

**STEP 10**

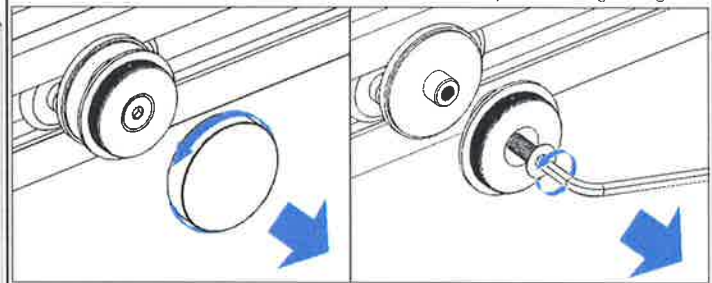
Place the **Exterior Door** on the **Door Rail** and secure them temporarily by tightening the hex screws on the **Exterior Adjustable Gliding Wheels**.

**STEP 11**

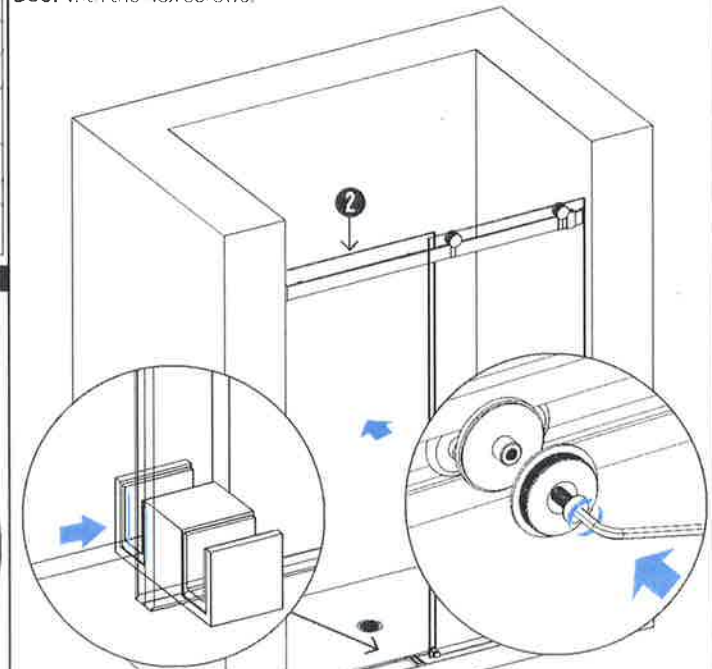
Place the **Interior Adjustable Gliding Wheels** in the **Door Guide**.

**Inside**

Remove the back cover from the **Interior Adjustable Gliding Wheels**. Release the hex screw and remove the part which adjust the height of glass.

**STEP 12**

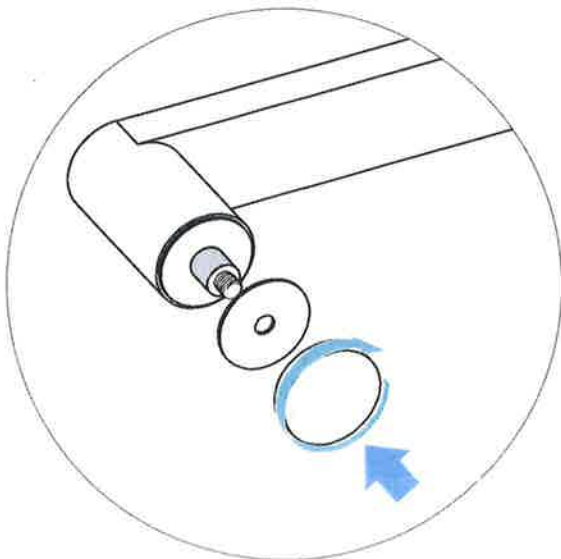
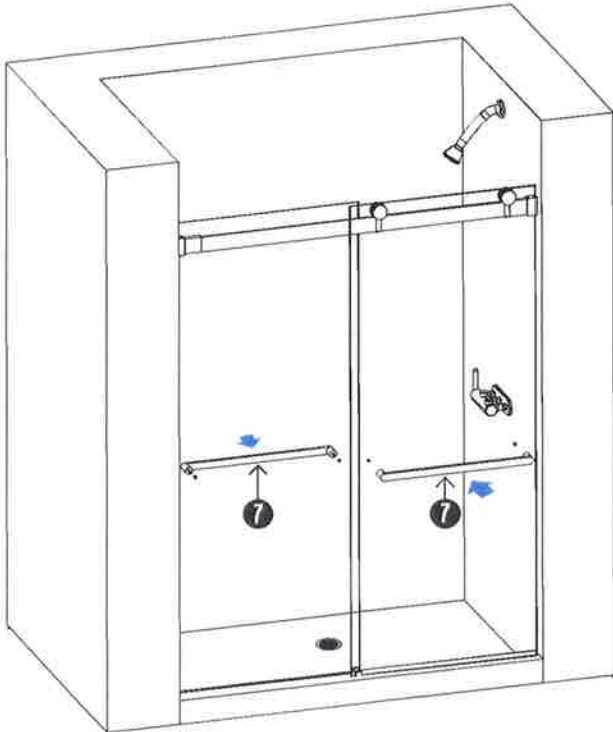
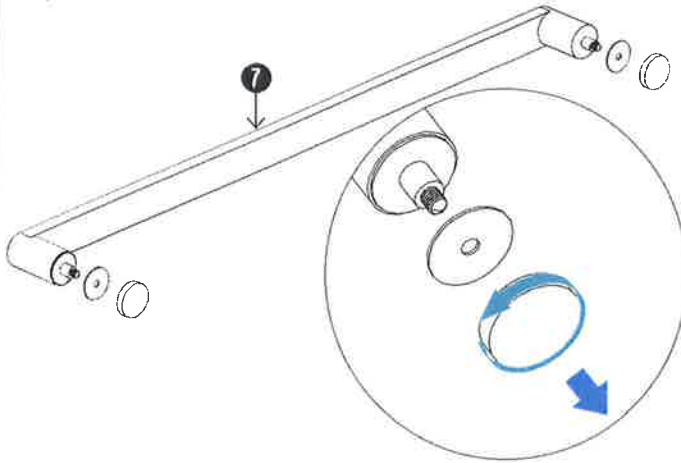
Slide the **Interior Door's** horizontal bottom edge into the interior slot of the **Door Guide** inside the shower or the tub. Use shims with height of 3/8" to help keep the **Interior Door** in place and prevent direct contact with the **Door Guide**. Align the **Interior Door** top two holes with the **Interior Adjustable Gliding Wheels** and fasten them to the back of the **Interior Door** with the hex screws.



Note: Back disc of the **Interior Adjustable Gliding Wheels** allows for horizontal **Interior Door** adjustment. Turn the alignment disc to the middle in order to do the horizontal alignment later.

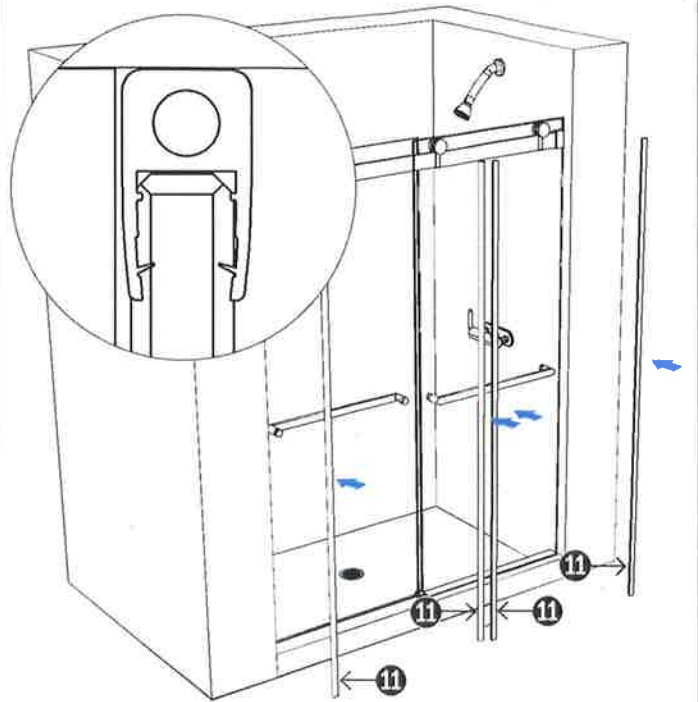
STEP 13

Remove the back cover and washer from the Towel Bar **Handles**. Mount the **Handles** from outside of the **Exterior Door** and from inside the **Interior Door**.



STEP 14

Place the "U" Seal with Bulb Attachment onto the vertical edges of both doors.

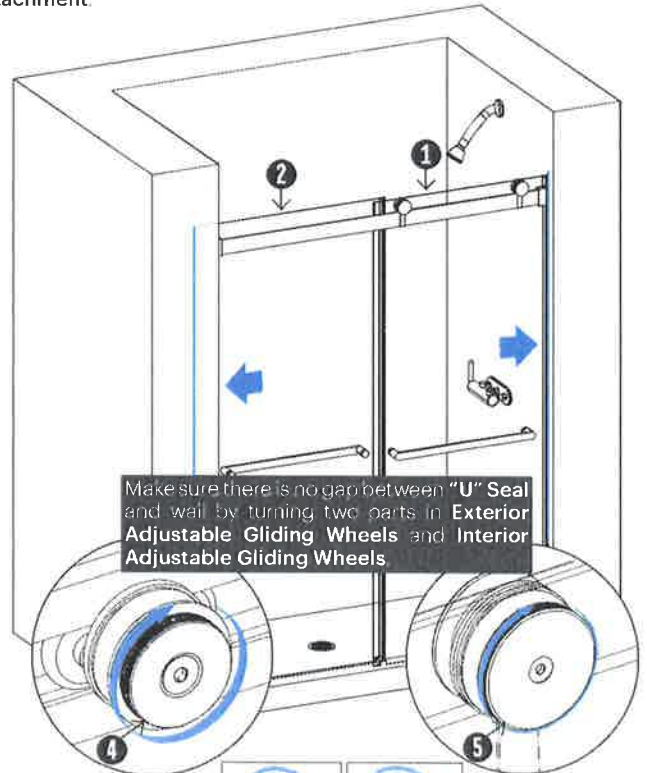


Slide both doors to each side. Make sure they are 3/8" inch above of inside lower part of the **Door Guide**. Make sure each door is flushed against each wall. Make sure both doors will stay in closed position and do not roll back. Make adjustments if necessary.

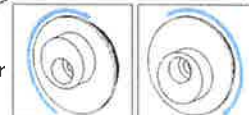
Note: To adjust horizontal align or level of the **Exterior Door**, turn alignment disc of the **Exterior Adjustable Gliding Wheels**.

To adjust horizontal align or level of the **Interior Door**, turn alignment disc of the **Interior Adjustable Gliding Wheels**.

To adjust doors to be flushed with the walls, pull out the "U" Seal with Bulb Attachment.



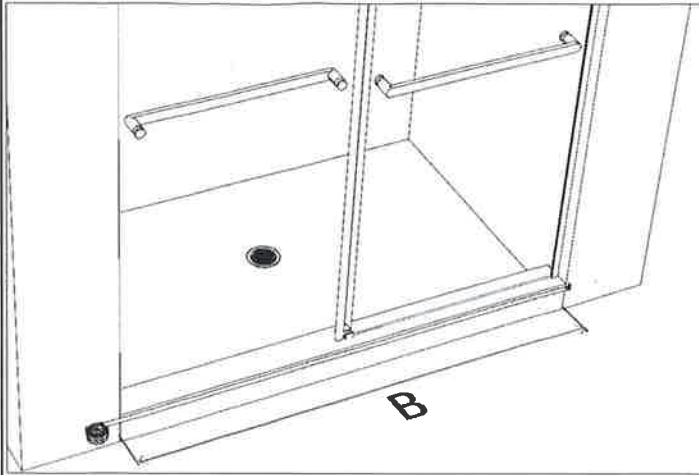
Lower Door



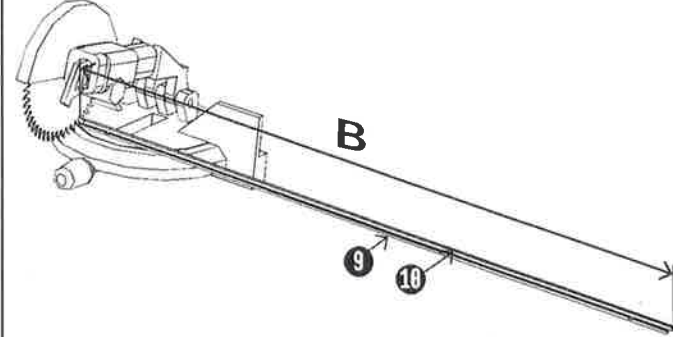
Raise Door

STEP 15

Measure the distance "B" between two finished walls at the curb level.

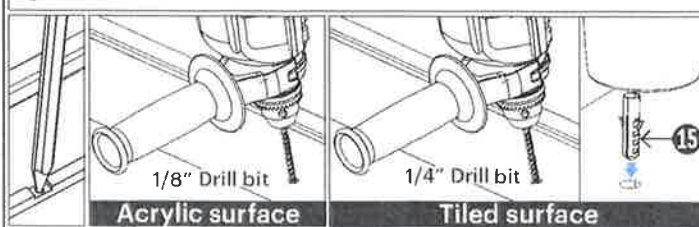
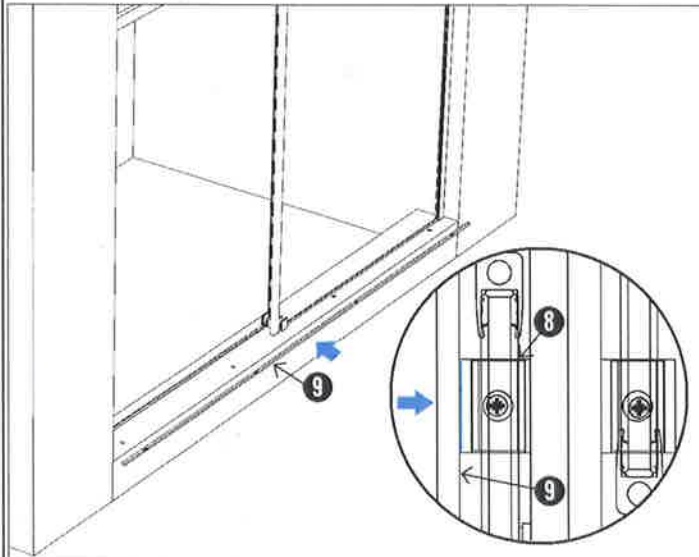


Cut the **Threshold Base** and **Threshold Cover** to the length of distance "B" using miter saw.

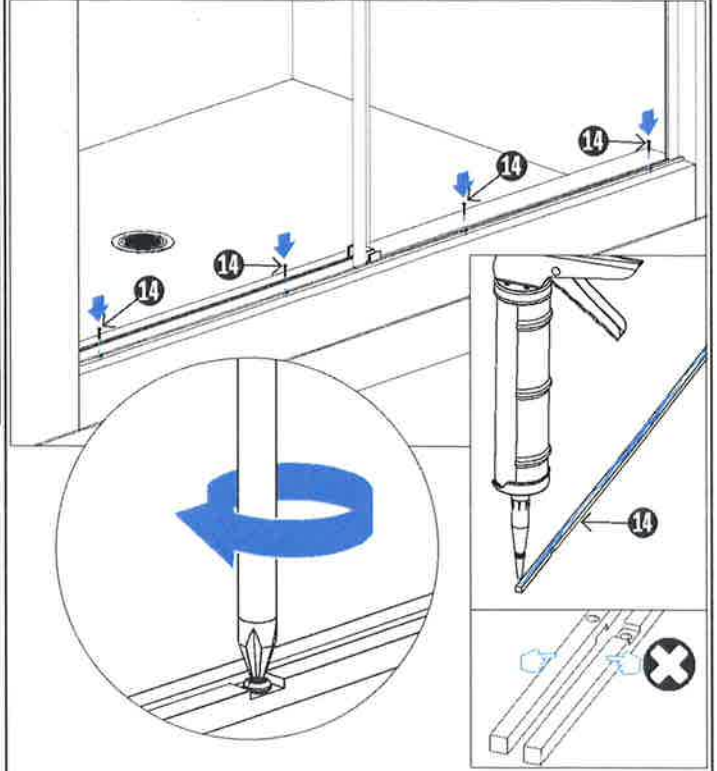


Place the **Threshold Base** on the curb exterior. Align and move it tightly to the **Door Guide**. Mark holes through pre-drilled holes. Drill the holes.
Note: For installation into acrylic surface, pre-drill holes with 1/8" drill bit and use the **Screw ST4x25**.

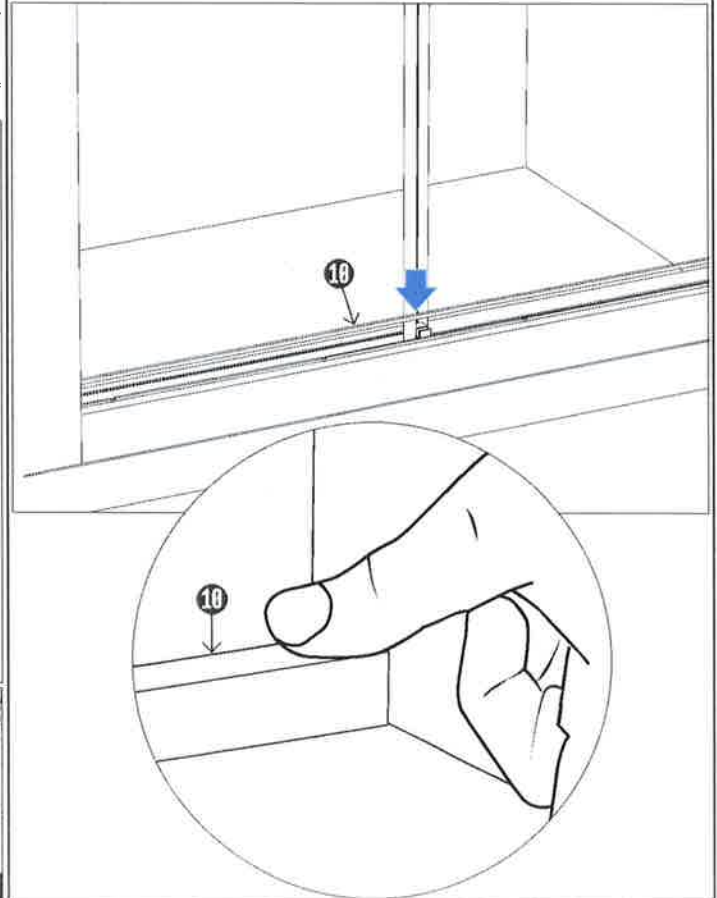
OR
For installation into tiled surface drill 1/4" hole, install the **Floor Anchor** and use the **Screw ST4x25**.

**STEP 16**

Apply waterproof silicon along the bottom of the **Threshold Base**, and place the **Threshold Base** on the curb exterior. Move it tightly to the **Door Guide**.
Note: Clean surfaces before applying silicon.

**STEP 17**

Clip the **Threshold Cover** over the **Threshold Base** tightly and finish the installation of your Volte Shower/Tuo door.



Product Maintenance

Glass: To ensure longevity of the glass on your shower product, prevent residue buildup and water spots. Wipe the glass after every use with non-abrasive materials such as soft cloth, sponge, or squeegee. Regularly clean glass with non-abrasive cleaner. Use mild cleaning solution mixed with warm water. Rinse and wipe the surface after cleaning. Avoid using cleaning products containing any of the following chemicals:

- Naphtha
- Hydrogen Peroxide Solution (common household peroxide)
- Toluene
- Ethyl Acetate
- Lye (common in drain cleaner)
- Acetone

Hardware: To ensure long-lasting hardware finish, wipe off the metal parts after each use with non-abrasive materials such as soft cloth or sponge. Do not use abrasive cleaning products or any products containing ammonia, acid, or bleach. Rinse and wipe the surface after cleaning.

Note: To improve longevity of your shower or tub door, it is important to inspect glass and hardware regularly for any misalignments, proper attachments, vinyl strips, and silicon condition. Contact Coastal for any help with your product.

