

## PREPARATION

**Approximate Installation Time:** 60 minutes

**Tools Required for Installation:**

- Miter/Chop Saw or Hacksaw
- Electric Drill
- 3/16" Masonry Drill Bit
- 5/16" Masonry Drill Bit
- Phillips Bit
- Pencil / Felt Tip Pen
- Masking Tape
- Cutting Pliers
- Measuring Tape
- Standard Screwdriver
- Phillips Screwdriver
- 3mm Allen Wrench
- Level
- Rubber Mallet
- Clear Caulking or Sealant
- Safety Glasses
- Shims







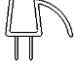
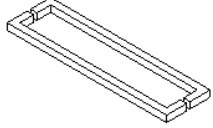
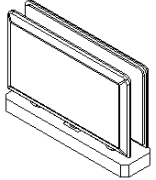
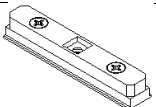
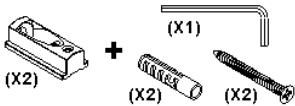
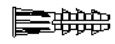




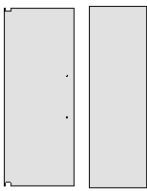
## QUESTIONS

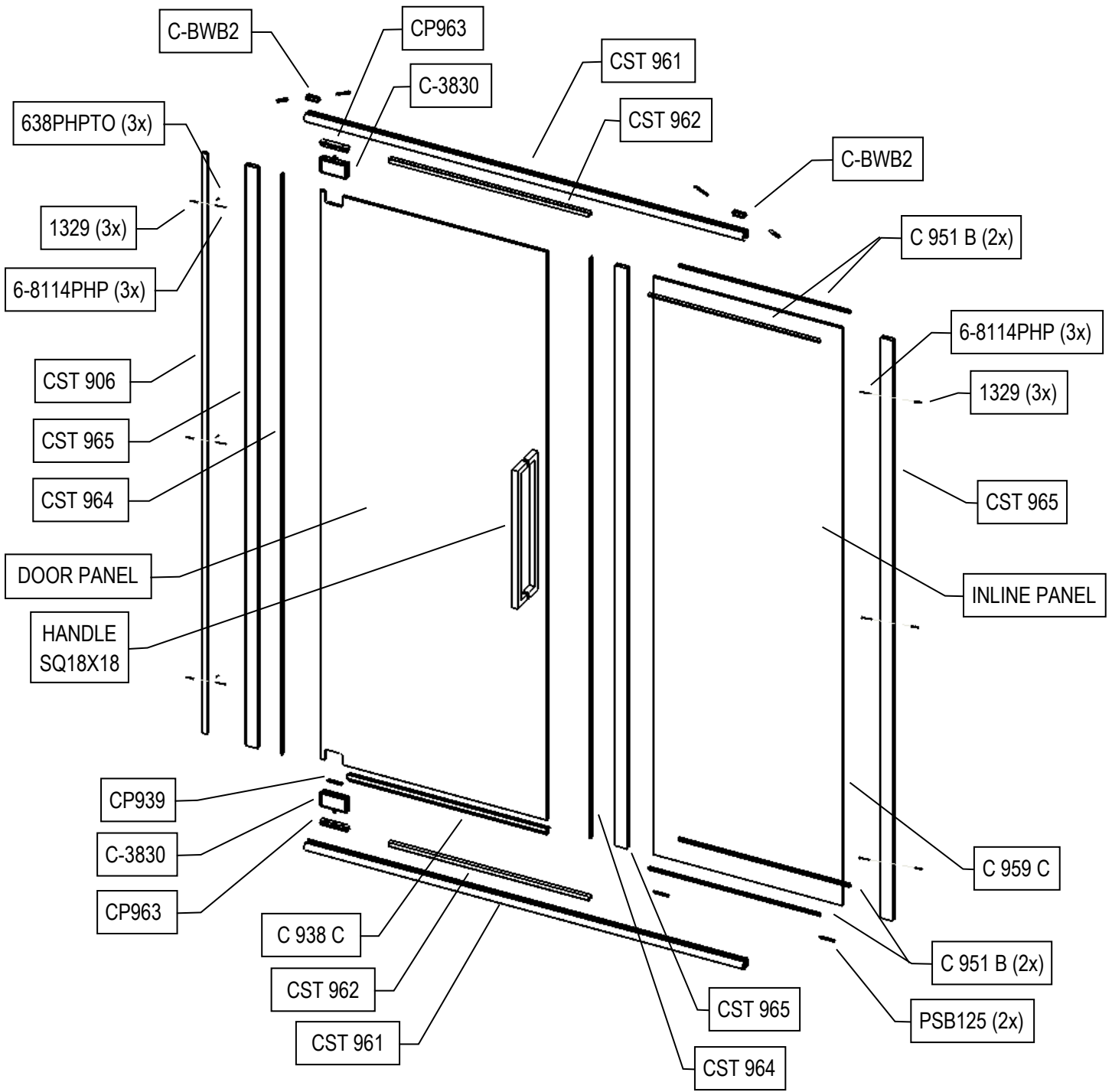


Before beginning installation of product, make sure all parts are present. Compare parts with package contents list and diagram below. If any part is missing or damaged, do not attempt to install the product.

Please call our customer service department at 1-800-874-8601, 8 am - 5 pm EST, Monday to Friday.

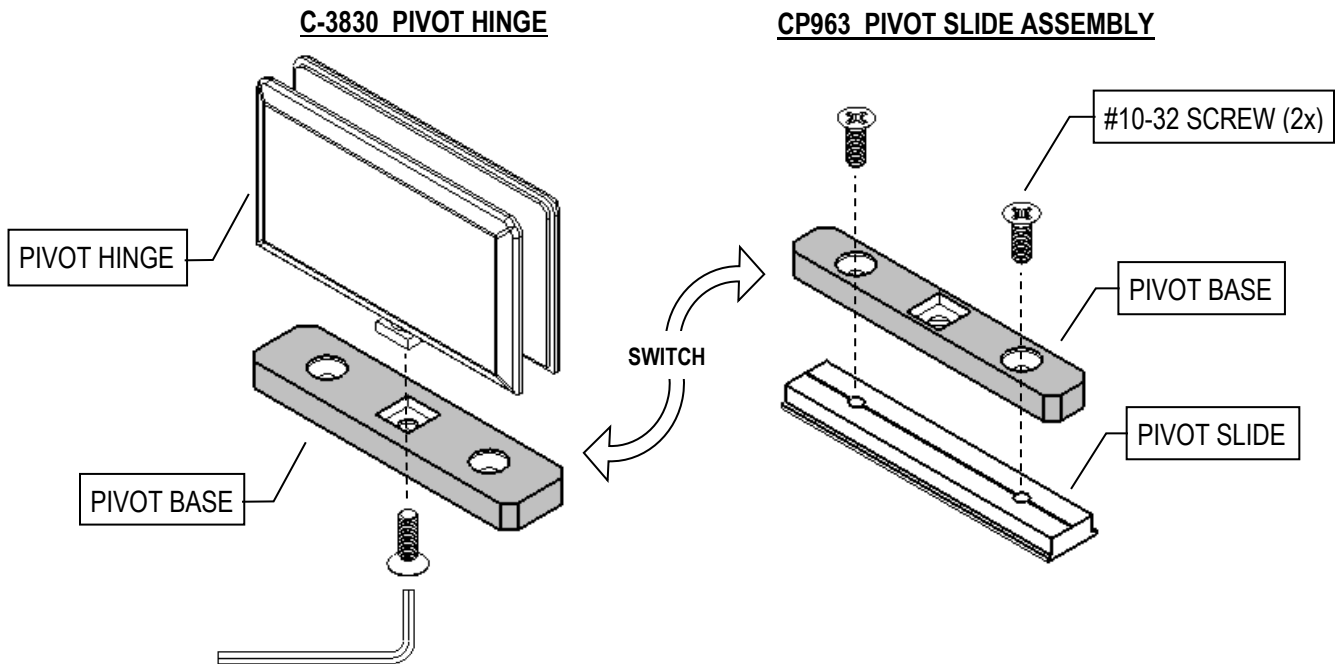
### PACKAGE CONTENTS

	CST 961	Sill / Header	2
	CST 962	Sill / Header Cover	2
	CST 965	Inline Wall Jamb / Inline Center Post / Door Post	3
	CST 906	Door Wall Jamb	1
	CST 964	Vertical Cover	2
	C 951 B	Vinyl Gasket	1
	C 938 C	Drip Rail Sweep	1
	SQ18X18 or SQ24X24	18" Back-to-Back Square Pull 24" Back-to-Back Square Pull	1
	C-3830	Pivot Hinge	2
	CP963	Pivot Slide	2
	C-BWB2	Header Bracket Wall Mount (Pair) (with 2x Screw, 2x Plastic Anchor, Allen Wrench)	1
	1329	Plastic Screw Anchor	6
	6-8114PHP	Installation Screw (#8 x 1-1/4")	6
	638PHPT	Adjustment Screw (#6 x 3/8")	3
	PSB125	Panel Setting Block (1/8" x 1/4" Clear)	2
	CP939	Hinge Setting Block (3/16" x 1/4" Black)	1
	GLASS3/8	Door Glass and Inline Panel Glass (3/8")	1 + 1

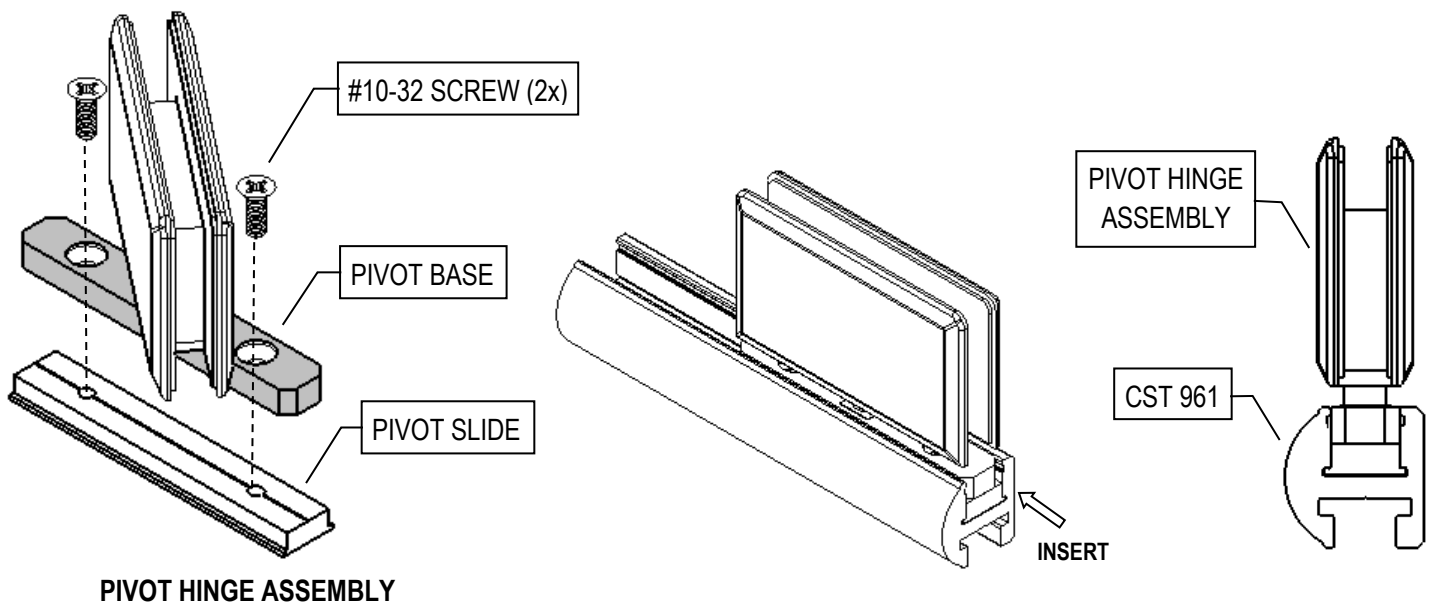


**STEP 1. ATTACH PIVOT SLIDE TO PIVOT HINGE**

- Prepare both **Pivot Hinges C-3830** and the **Pivot Slides CP963**.
- Remove the **Pivot Base** from the **Pivot Hinge C-3830**. Remove also, the **Pivot Base** from **Pivot Slide CP963** and attach it to the **Pivot Hinge**.

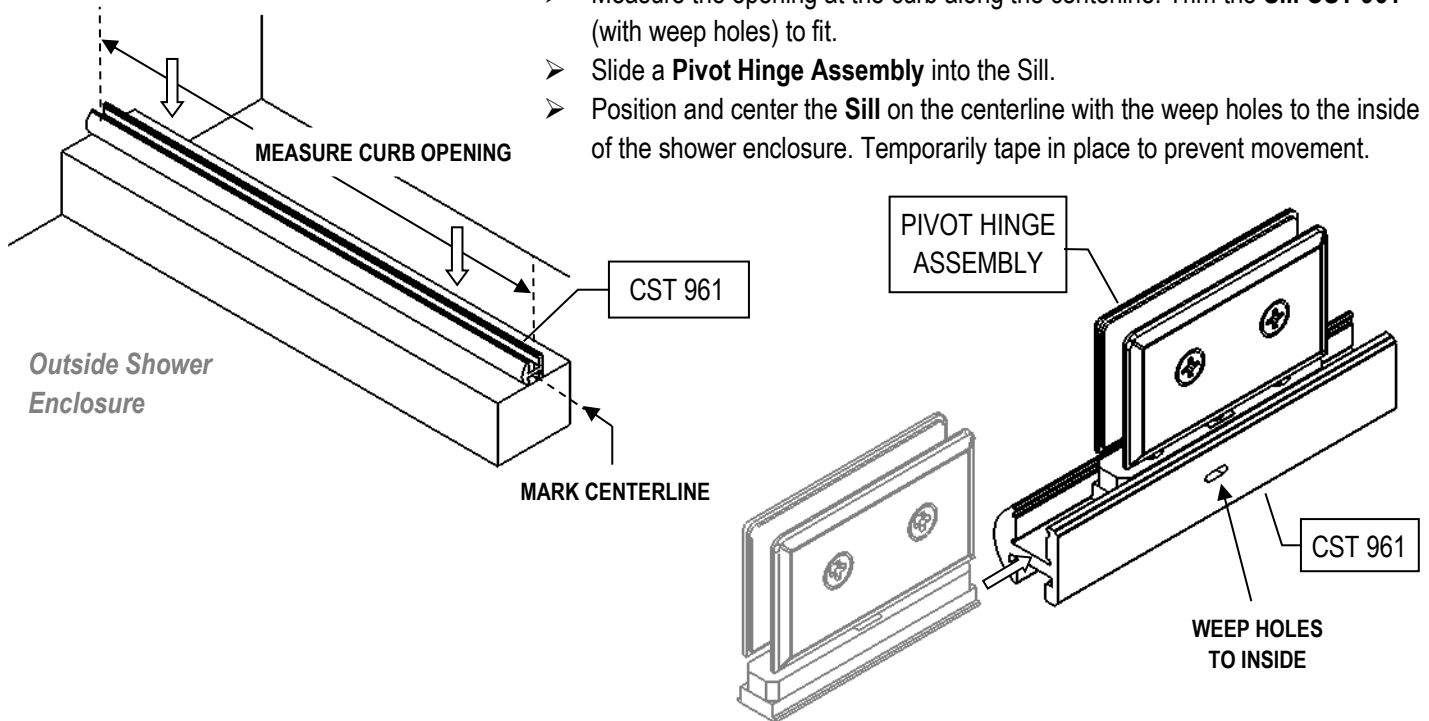


- Re-attach the **Pivot Base** to the **Pivot Slide**. Leave the **#10-32 Flat Head Cone Point Screw** slightly loose in order to slide the **Pivot Hinge** into the **Sill or Header CST 961**.
- Set aside the **Pivot Hinge Assemblies** until the **Sill** and **Header** are trimmed.



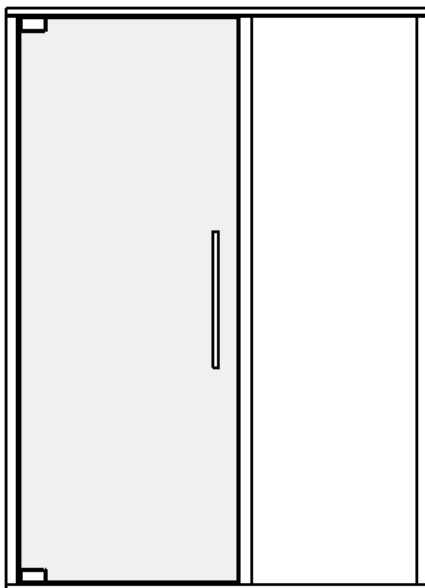
**STEP 2. TRIM AND POSITION SILL ON CURB CENTERLINE**

- Strike a centerline on the curb where the unit will sit.
- Measure the opening at the curb along the centerline. Trim the **Sill CST 961** (with weep holes) to fit.
- Slide a **Pivot Hinge Assembly** into the Sill.
- Position and center the **Sill** on the centerline with the weep holes to the inside of the shower enclosure. Temporarily tape in place to prevent movement.

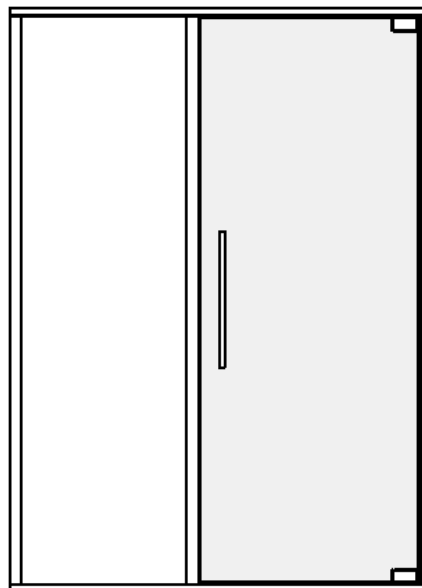


**STEP 3. IDENTIFY DOOR AND INLINE PANEL LOCATION**

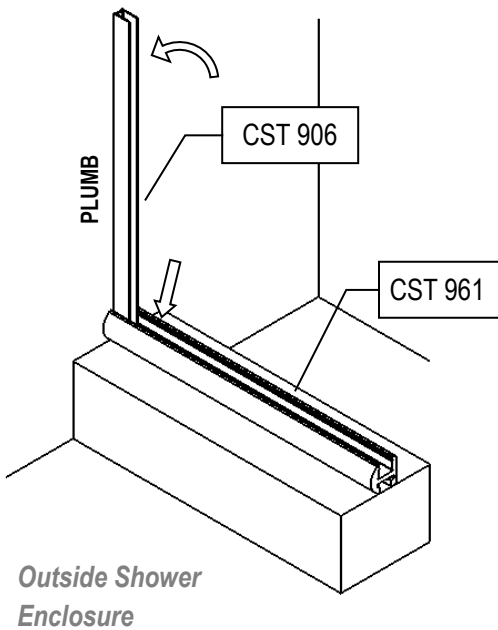
↓  
**DOOR ON LEFT SIDE**  
(PIVOT ON LEFT OR RIGHT)



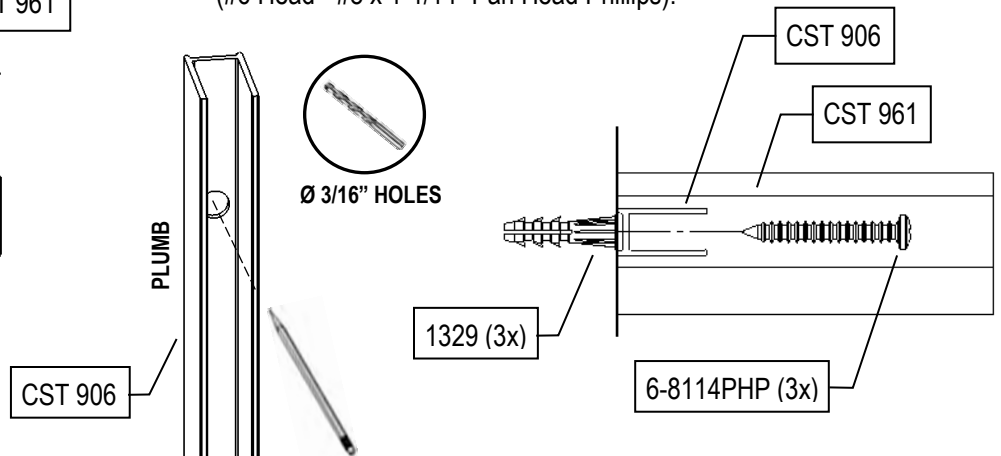
**DOOR ON RIGHT SIDE**  
(PIVOT ON LEFT OR RIGHT) ↓



**STEP 4. INSTALL DOOR WALL JAMB**

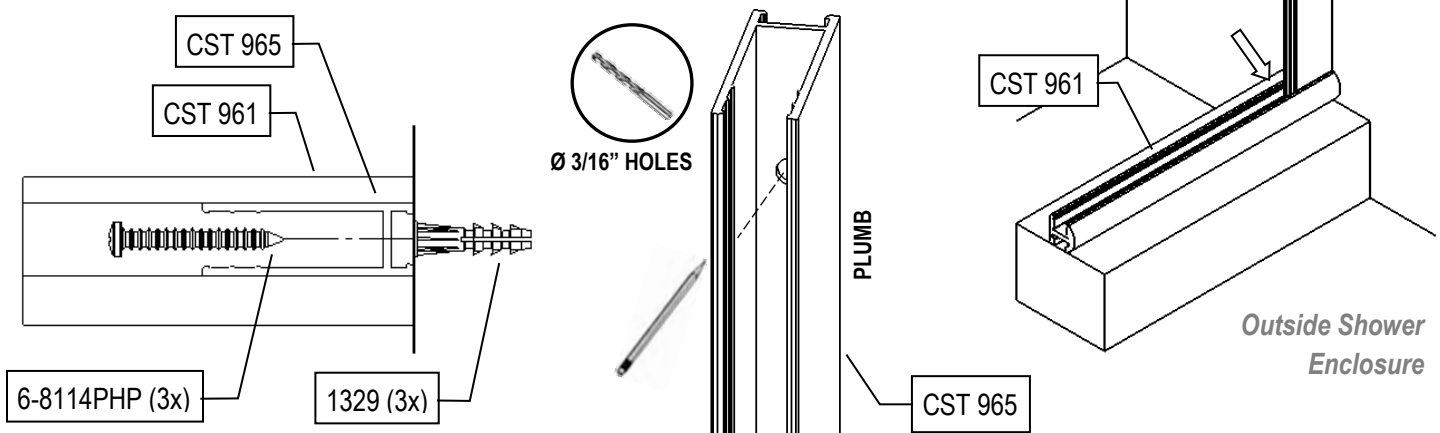


- Set the **Door Wall Jamb CST 906** into the **Sill CST 961** and up against the wall on the **Door** side.
- While holding the **Jamb** plumb with a level, use the pre-drilled holes in the **Jamb** to pencil mark (3) hole locations on the wall.
- Remove the **Jamb** and drill installation holes 1-1/2" deep using a 3/16" masonry bit. Insert **Plastic Screw Anchors 1329** into the holes.
- Secure the **Jamb** in place using (3) **Installation Screws 6-8114PHP** (#6 Head - #8 x 1-1/4" Pan Head Phillips).

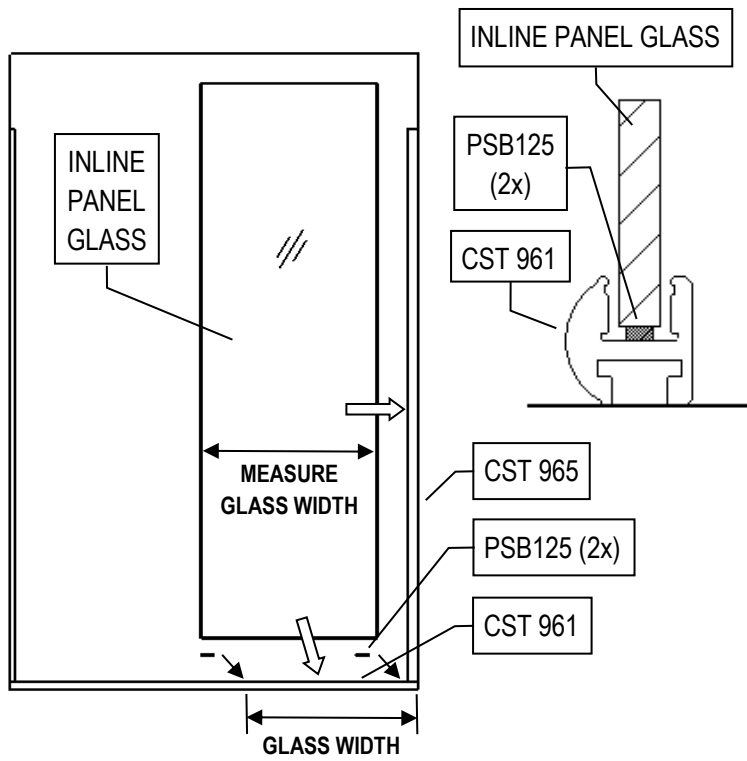


**STEP 5. INSTALL INLINE WALL JAMB**

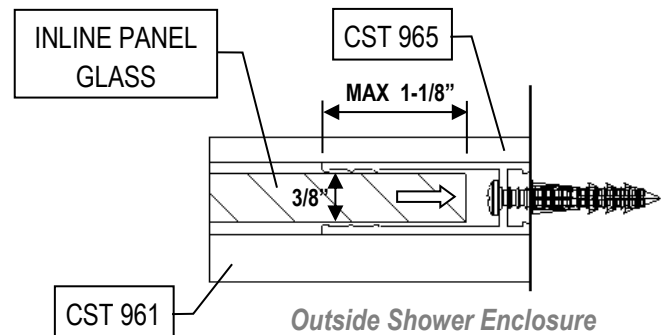
- Set the **Inline Wall Jamb CST 965** into the **Sill CST 961** and up against the wall on the **Inline Panel** side.
- While holding the **Jamb** plumb with a level, use the pre-drilled holes in the **Jamb** to pencil mark (3) hole locations on the wall.
- Remove the **Jamb** and drill installation holes 1-1/2" deep using a 3/16" masonry bit. Insert **Plastic Screw Anchors 1329** into the holes.
- Secure the **Jamb** in place using (3) **Installation Screws 6-8114PHP** (#8 x 1-1/4").



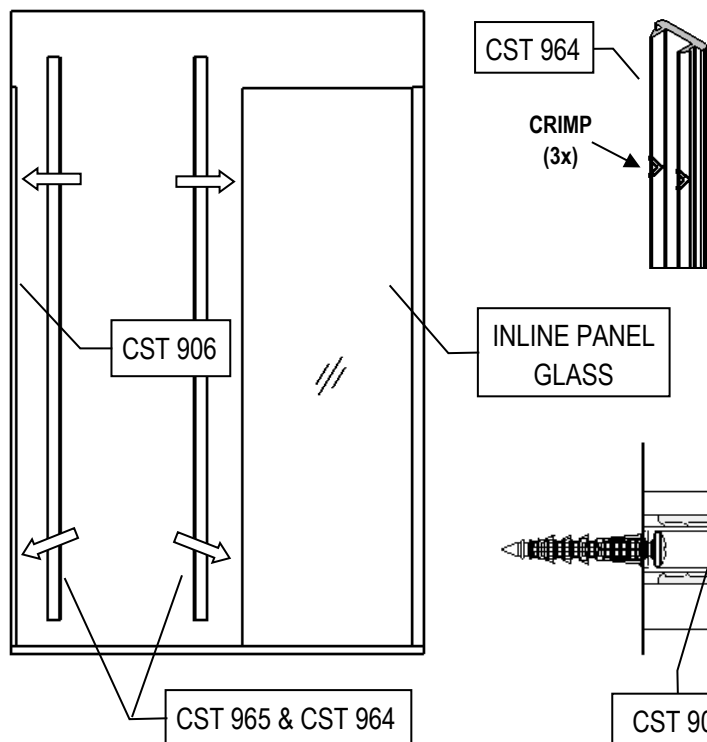
**STEP 6. SET INLINE PANEL**



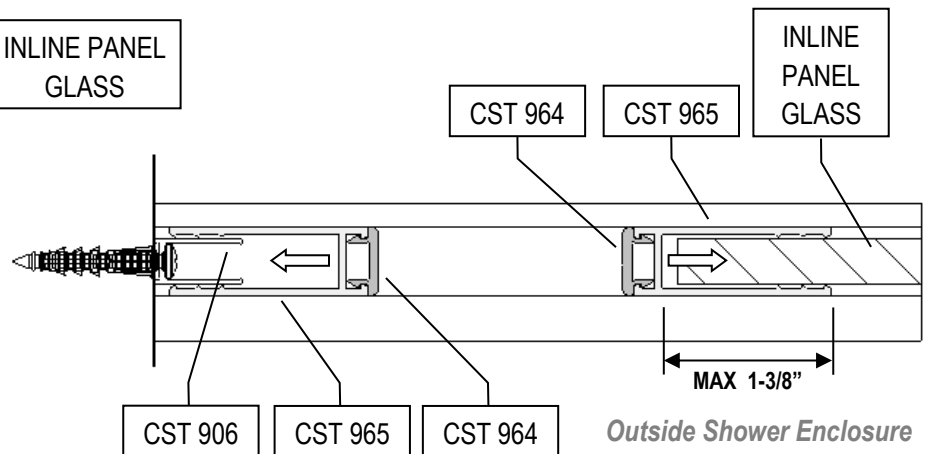
- Place one **Panel Setting Block PSB125** into the **Sill CST 961** at the **Inline Wall Jamb CST 965**.
- Measure the **Inline Panel Glass** width. Place another **Setting Block** in the **Sill** at that distance from the wall.
- Set the **Inline Panel Glass** onto the **Setting Blocks** in the **Sill** and push the **Glass** into the **Wall Jamb** (1-1/8" fully inserted).
- For **Satin Glass**, the **Satin** side is to the outside. For **Glass** treated with **Coastal Clarity**, the treated side is to the inside.



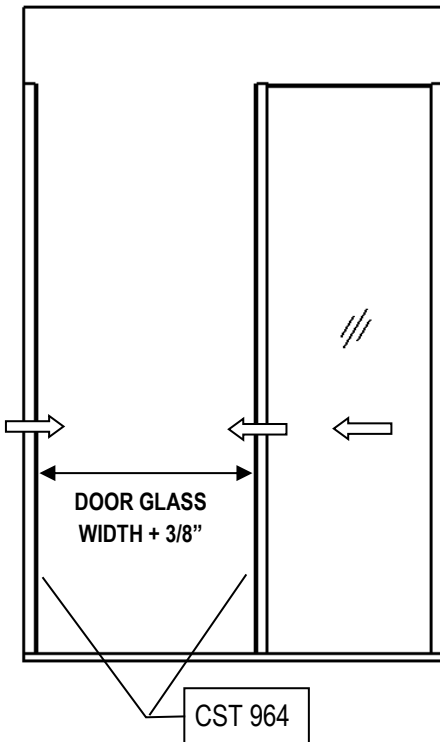
**STEP 7. INSERT DOOR AND INLINE POSTS WITH COVERS**



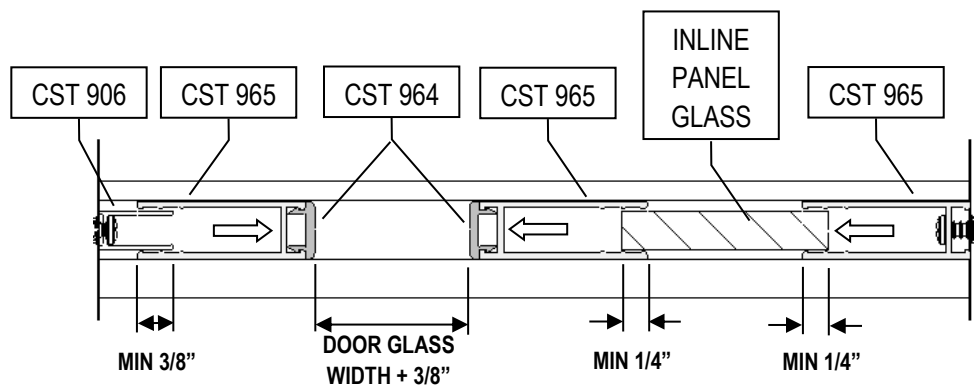
- Crimp the snap legs of the **Vertical Covers CST 964** with pliers in three places at top, middle, and bottom (to prevent movement when installed).
- Install a **Vertical Cover** into each of the **Inline Center Post** and the **Door Jamb Post CST 965**.
- Slide the **Posts** onto the **Inline Panel Glass** (1-3/8" fully inserted) and the **Door Wall Jamb CST 906**.



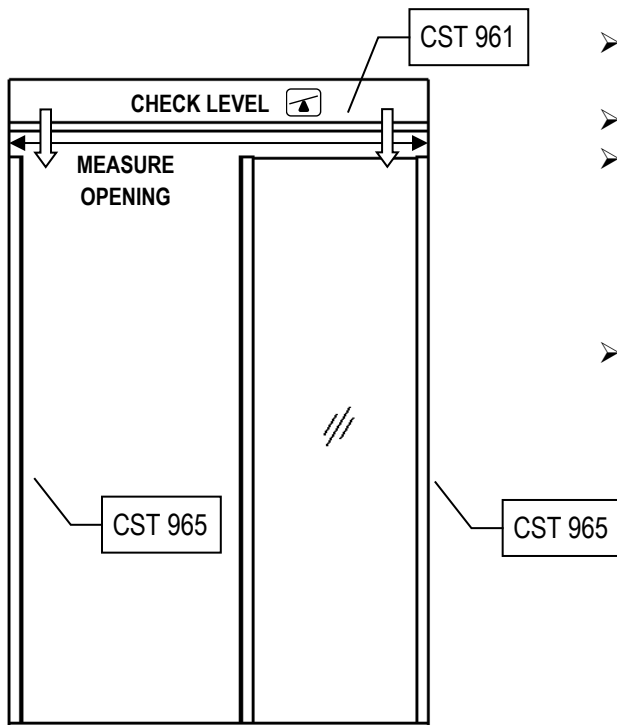
**STEP 8. ADJUST INLINE PANEL AND DOOR AND INLINE POSTS**



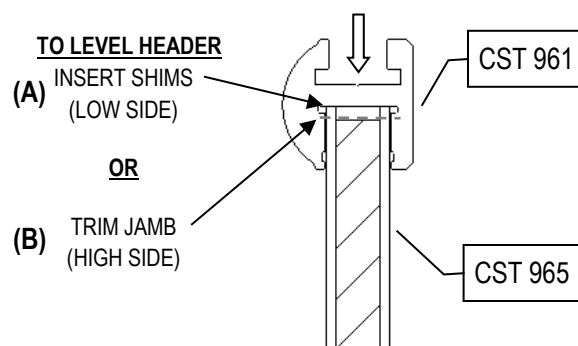
- Measure the **Door Glass** width. Measure the opening between the **Post Covers CST 964**. Adjust the unit along the curb until the measurement between the **Post Covers** is:  $\text{Door Glass Width} + 3/8"$ .
- Adjust by:
  - (A) Pull the **Inline Panel Glass** in or out of the **Inline Wall Jamb CST 965** (minimum 1/4" insertion required).
  - (B) Pull the **Inline Post CST 965** in or out on the **Inline Panel Glass** (minimum 1/4" insertion required).
  - (C) Pull the **Door Post CST 965** in or out on the **Door Wall Jamb CST 906** (minimum 3/8" insertion required).



**STEP 9. TRIM HEADER AND CHECK LEVEL**

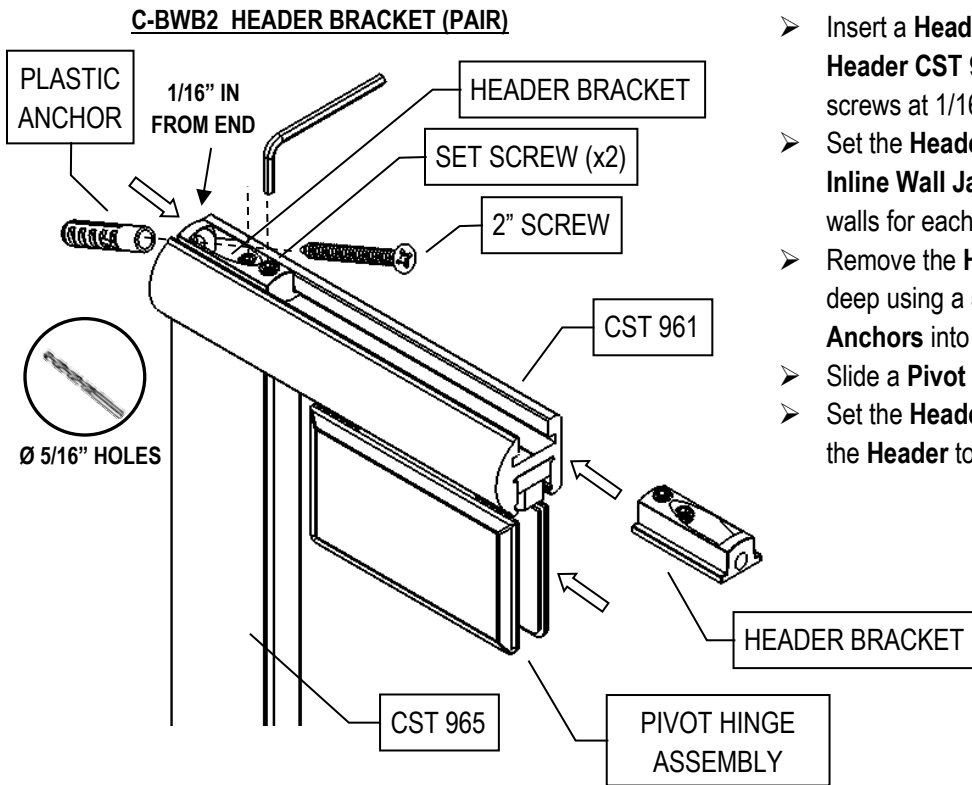


- Measure the finish-to-finish shower opening above the **Door Post** and **Inline Wall Jamb CST 965**. Trim the **Header CST 961** to fit.
- Set the **Header** over the **Door Post** and **Inline Jamb**.
- Check if the **Header** is level. Level **Header** by:
  - (A) Trimming the **Wall Jamb** on the high side (maximum 1/8" adjustment).
  - (B) Insert Shim(s) between the **Header** and **Wall Jamb** on the low side (maximum 1/8" adjustment).
- Remove the **Header** when satisfied with level.





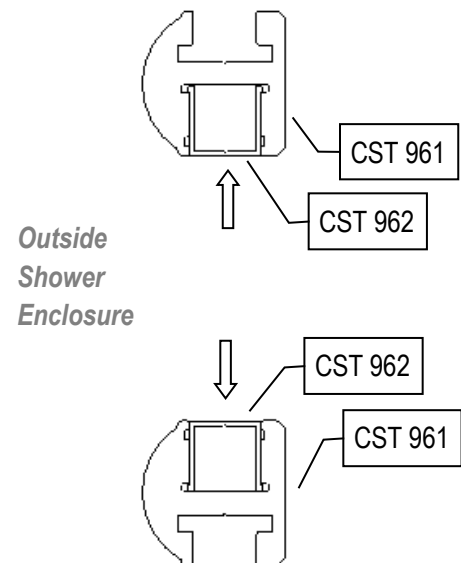
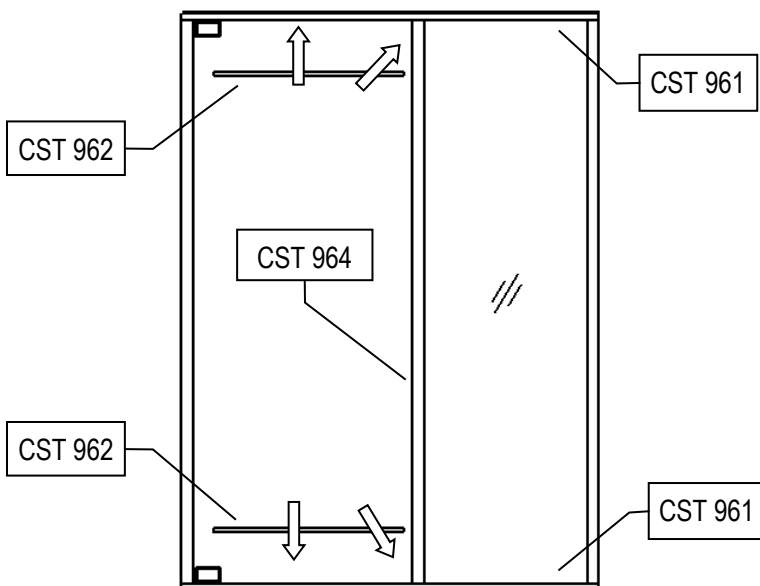
**STEP 10. INSTALL HEADER**



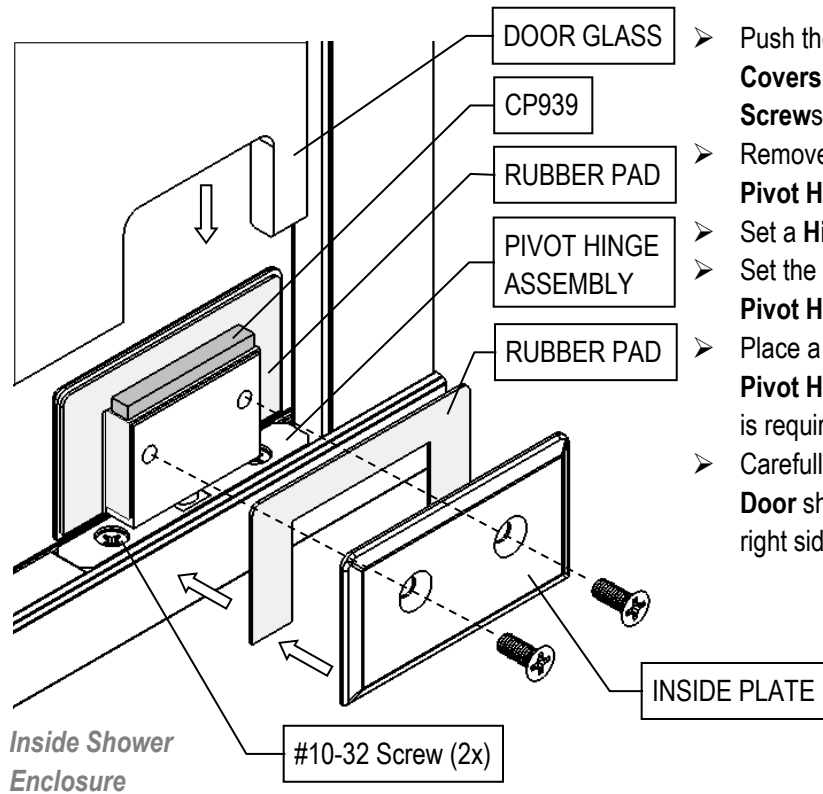
- Insert a **Header Bracket C-BWB2** into each end of **Header CST 961**. Secure the **Brackets** in place with set screws at 1/16" in from each end of the **Header**.
- Set the **Header** over the **Door** and **Inline Posts** and **Inline Wall Jamb CST 965**. Mark hole locations on the walls for each **Header Bracket**.
- Remove the **Header** and drill angled installation holes 2" deep using a 5/16" masonry bit. Insert **Plastic Screw Anchors** into the holes.
- Slide a **Pivot Hinge Assembly** into the **Header**.
- Set the **Header** over the **Posts** and **Inline Jamb**. Secure the **Header** to the walls using (2) 2" Flat Head Screws.

**STEP 11. INSTALL SILL AND HEADER COVER**

- Snap the **Sill and Header Covers CST 962** into the **Sill and Header CST 961**. Spread the U-Channel legs wider apart for a tighter fit if required. Push the **Sill / Header Covers** against the adjacent **Vertical Cover CST 964**.

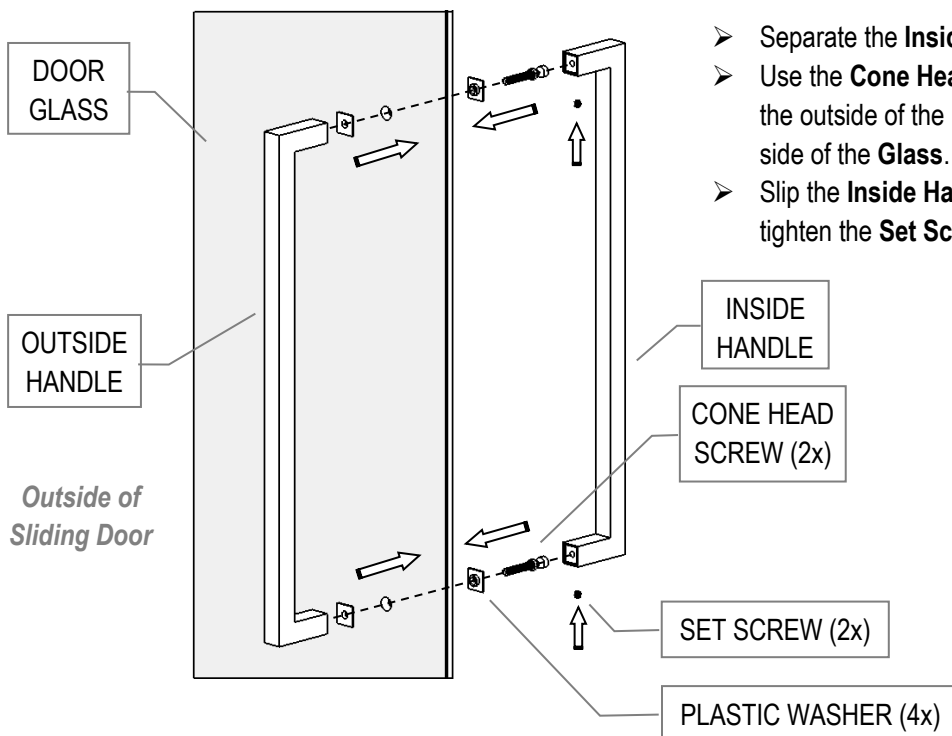


**STEP 12. INSTALL DOOR GLASS (Second Person Required)**



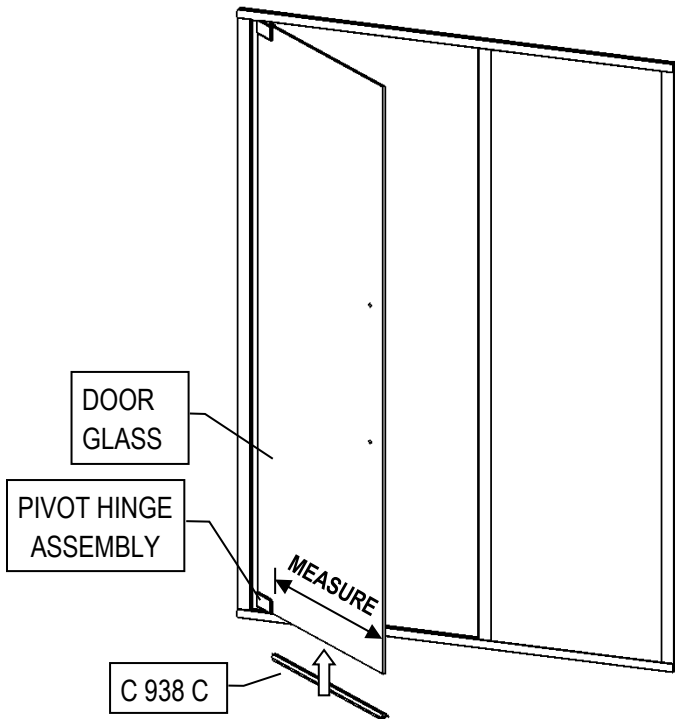
- Push the **Pivot Hinge Assemblies** against the **Sill / Header Covers CST 962**. Tighten the **#10-32 Flat Head Cone Point Screws** to lock the position of the **Pivot Hinges**.
- Remove the **Inside Plate** and excess **Rubber Pads** from the **Pivot Hinges**. Leave (1) **Rubber Pad** on each **Hinge**.
- Set a **Hinge Setting Block CP939** in the bottom **Pivot Hinge**.
- Set the **Door Glass** on the **Hinge Setting Block** in the bottom **Pivot Hinge** and tilt the **Glass** into the top **Hinge**.
- Place a **Rubber Pad** on the inside of the **Door Glass** at each **Pivot Hinge** and re-attach the **Inside Plates**. A second person is required to hold the **Door** in place while it is secured.
- Carefully open and close the **Door** to check operation. The **Door** should have approximately 1/8" clearance on the left and right sides and 1/4" clearance at the top and bottom.

**STEP 13. INSTALL DOOR HANDLE**

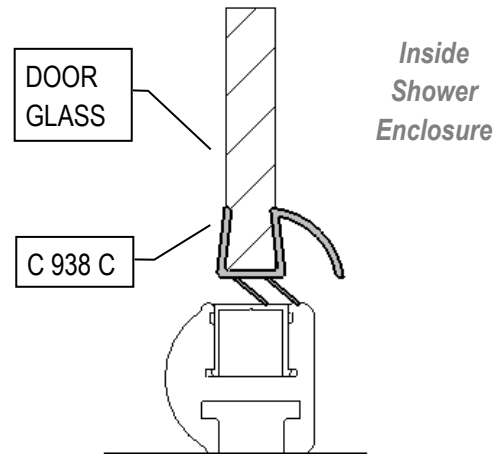


- Separate the **Inside Handle** from the **Outside Handle**.
- Use the **Cone Head Screws** to attach the **Outside Handle** to the outside of the **Door Glass** with a **Plastic Washer** on either side of the **Glass**.
- Slip the **Inside Handle** over the **Conehead Screws** and tighten the **Set Screws**.

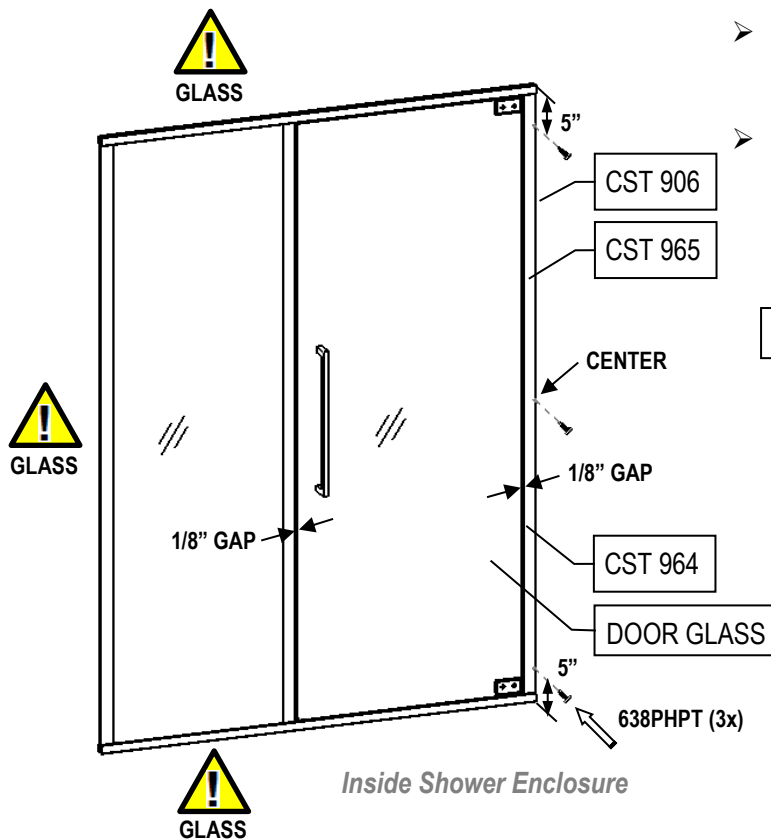
**STEP 14. INSTALL DRIP RAIL SWEEP**



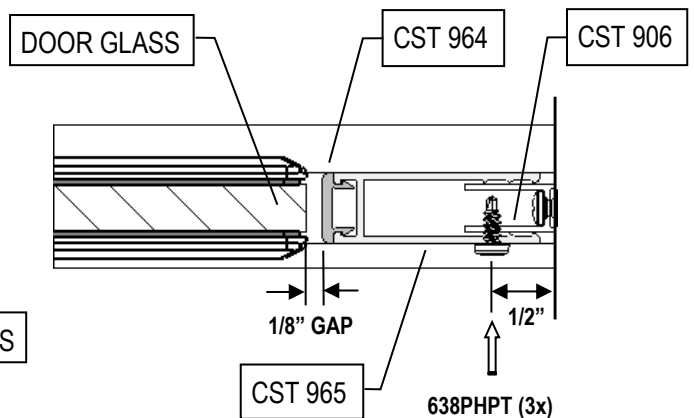
- Measure from the bottom **Pivot Hinge Assembly** to the edge of the **Door Glass**. Trim the **Drip Rail Sweep C 938 C** to fit.
- Attach the **Drip Rail Sweep** to the bottom of the **Door Glass** with the round fin to the inside.
- Check Door operation.



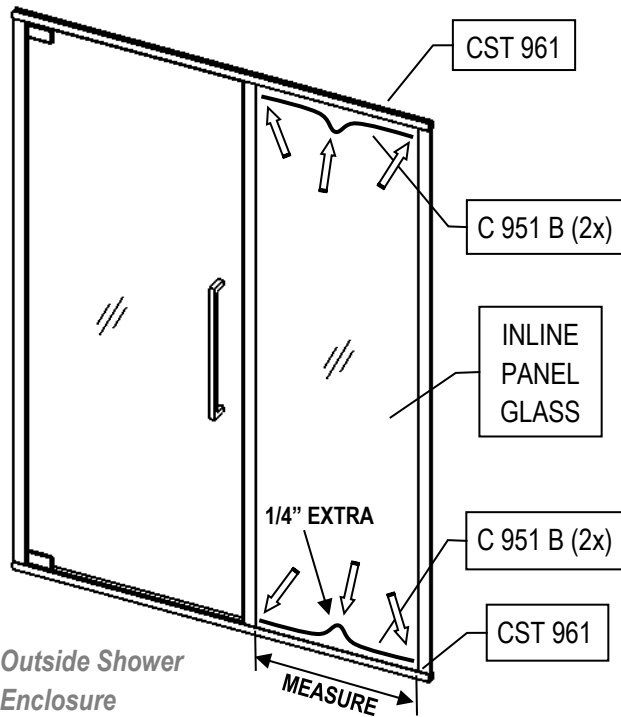
**STEP 15. SECURE DOOR POST**



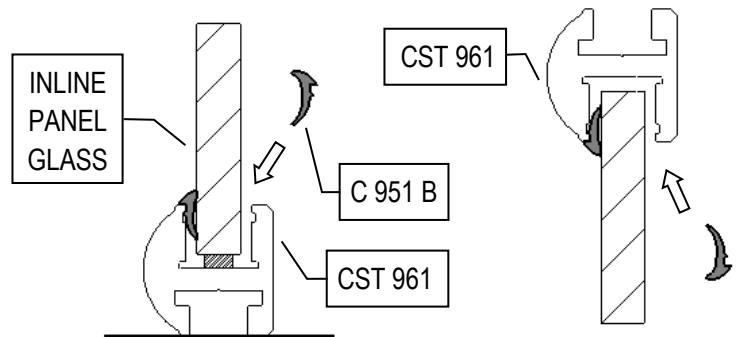
- Check for an even gap of approximately 1/8" between the **Door Glass** and **Vertical Cover CST 964**. Make final adjustment to the **Door Post CST 965** as required.
- Secure the **Door Post** to the **Door Wall Jamb CST 906** from inside the enclosure with (3) **Adjustment Screws 638PHPT (#6 x 3/8" Pan Head Phillips Tek)**. Locate **Screws** at 1/2" from the wall, at 5" from the top and bottom and at center.



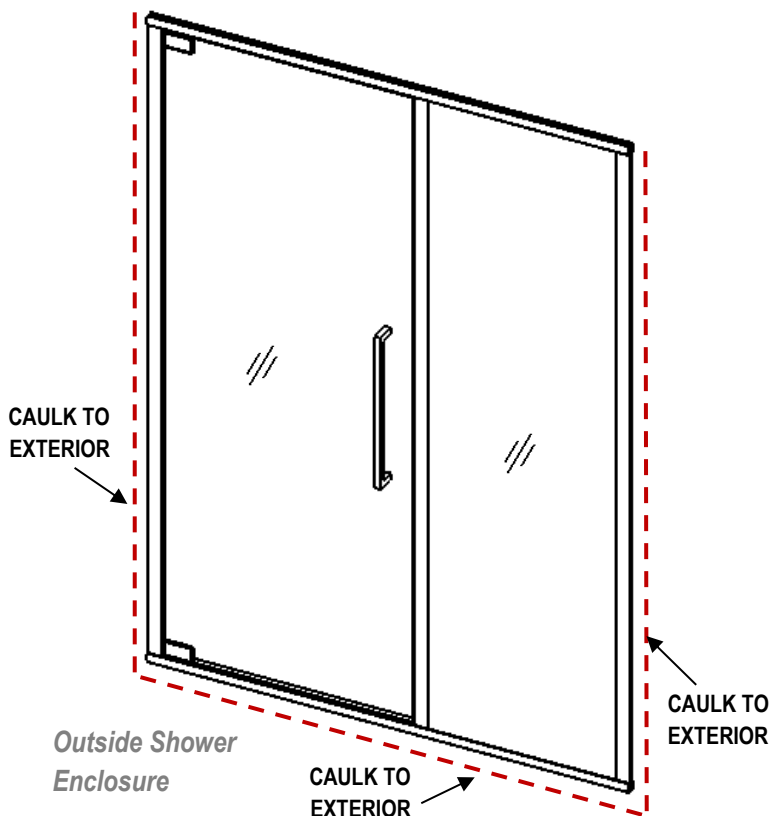
**STEP 16. INSTALL INLINE PANEL VINYL GASKET**



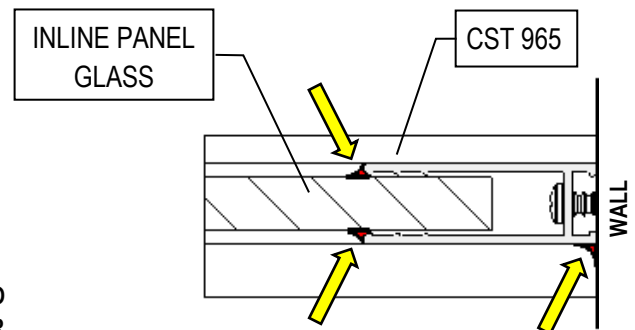
- Measure the exposed **Inline Panel Glass** width at the **Sill CST 961**. Cut a piece of **Vinyl Gasket C 951 B** to measurement plus 1/4" (for shrinkage).
- Push the **Gasket** into the seam between the **Sill** and the **Glass** from the outside.
- Repeat this process on the inside of the **Sill** and at the inside and outside of the **Header CST 961**.



**STEP 17. SEAL UNIT EXTERIOR**



- To complete the installation, run a bead of clear mildew resistant caulking around the outside perimeter of the shower at the **Sill CST 961** and the **Wall Jamb CST 965** and **CST 906**.
- Run a bead of clear silicone on the vertical seams where the **Inline Panel Glass** meets the **Inline Wall Jamb** and **Inline Center Post CST 965**. Do this to the inside and outside of the enclosure.
- Follow the caulking manufacturer's instructions before using the shower.



*Outside Shower Enclosure*